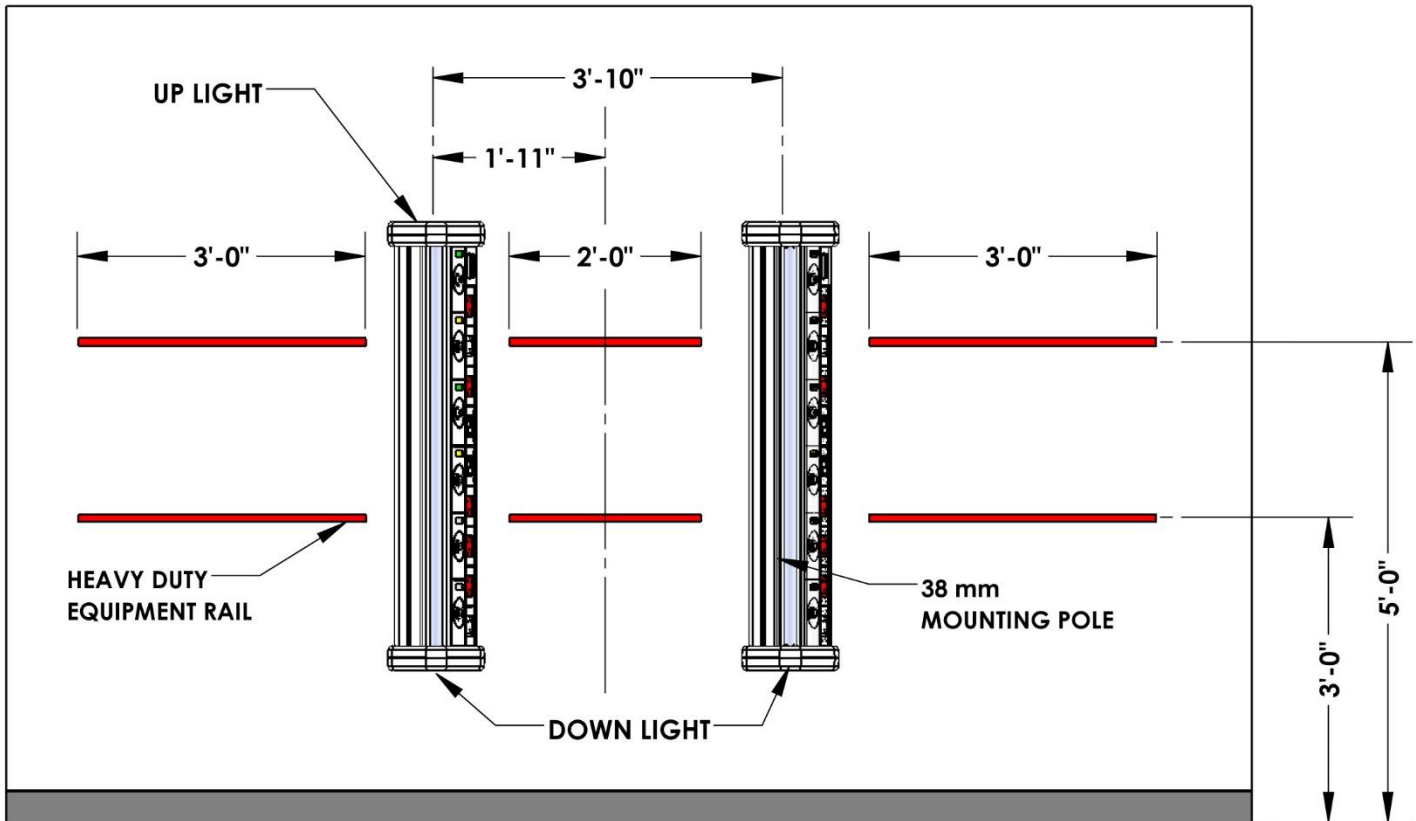
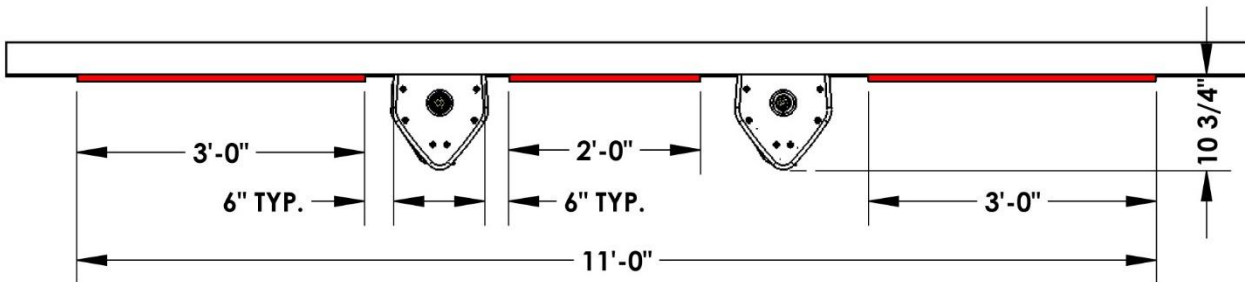


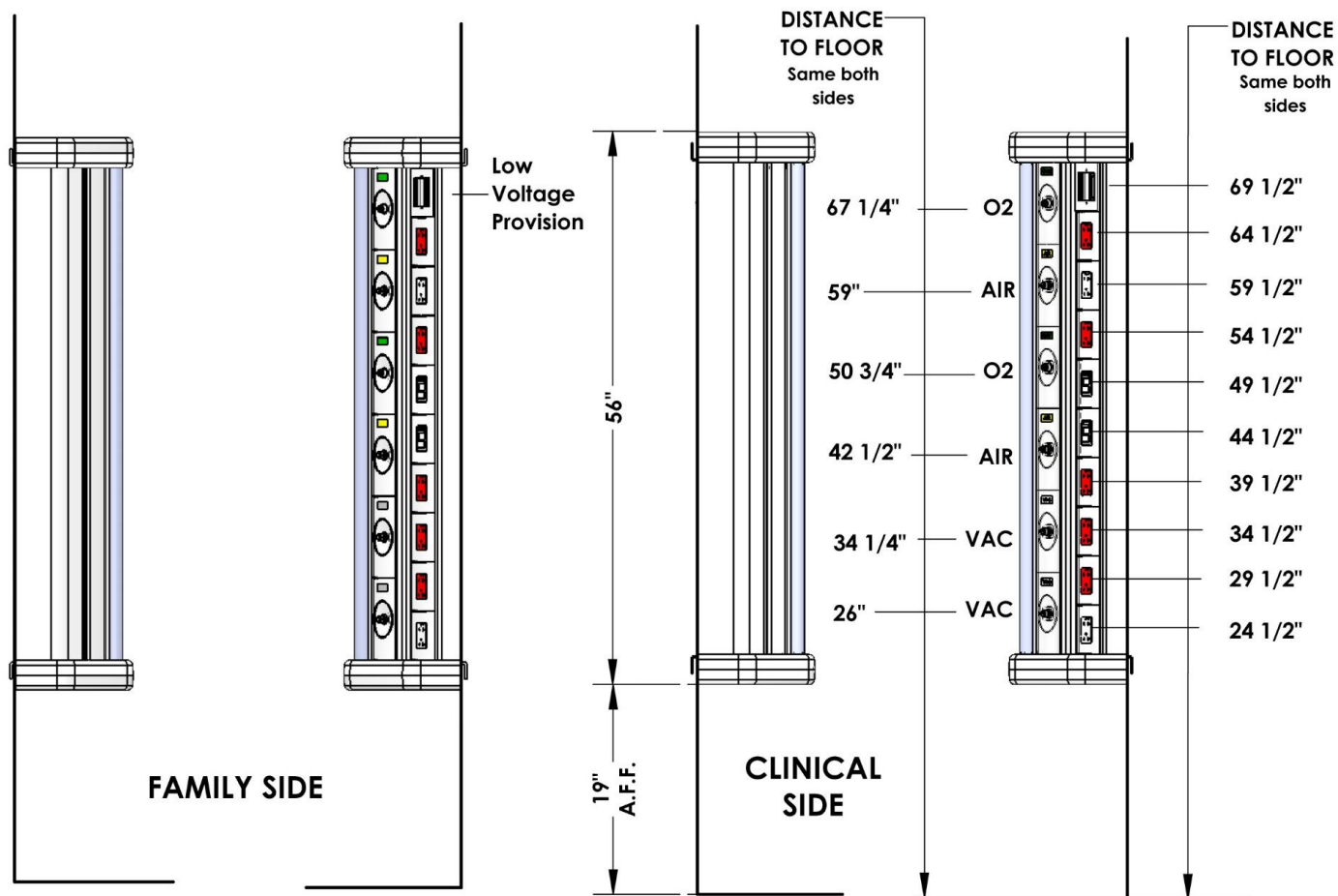
# Product Specification

## Matrixx-M for ICU



### MATRIXx-M HEADWALL - ICU





Gas Legend Total Outlets		
	Oxygen Outlet	4
	Air Outlet	4
	Vacuum Outlet	4

Electrical Legend Total Outlets			
	Low Voltage Provision	2	Normal Dimmer Up and Down Lights 4
	Duplex Emergency	10	
	Duplex Normal	4	

#### Footprint:

- 10 3/4 inch deep x wide x 56 inch high (273 mm x 1422 mm)

#### Recommended Height off Floor:

- 19 inches (482 mm)

#### Height to Crown of Plastic Cover:

- 80 inches (2 m)

#### Equipment Posts:

- 1.5 inch (38 mm) diameter

#### Other:

- Up light and night light

#### Electrical Outlets:

- Maximum capacity 10 outlets
- An additional 4 outlets can be installed outside panel on the family side of the unit

#### Electrical Outlets Available:

- Simplex
- Duplex
- Normal
- Emergency
- Low voltage

#### Electrical Outlet Location:

- Customer specified, 8.25 inch intervals (209 mm)

#### Gas Outlets:

- Maximum capacity 6 outlets

#### Gas Outlets Available

- Oxygen
- Air
- Vacuum

#### Gas Outlet Locations:

- Customer specified, at 5 inch (127 mm) intervals

Blank panels for gas and electrical outlets can be specified to facilitate future expansion

Rough-in hanger bracket kit available

Unique wire separation permits freedom to arrange power and low voltage outlets where needed.

U.S. Patent – 7.425.679 and 7.211.726