

## Installation Instructions to mount Heavy Duty Equipment Rail to Room Walls

January 2014  
Document# 17-50-1002-001 Rev. 3.0

Page 1 of 2

**A**

### Background

The illustration below identifies the different types HD Rail Mounting –

STUD AND DRYWALL MOUNTING CAN BE WITH OR WITHOUT STAND-OFFS.

All rail lengths use the same installation procedure described in these instructions.

**B**

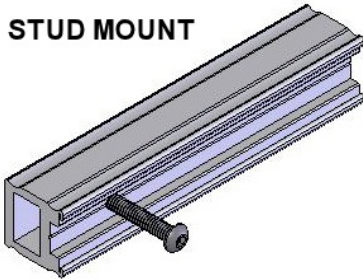
### Before you start:

Refer to the relevant elevation drawing or other specification for quantity and location of Heavy Duty Rails.

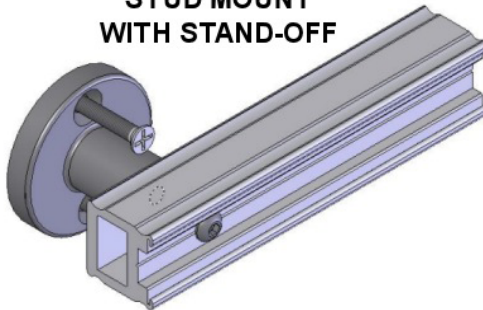
Rails are designed to mount directly to the wall or to be mounted to stand-offs, which are mounted to the wall.

Tools – #3 Phillips screwdriver.

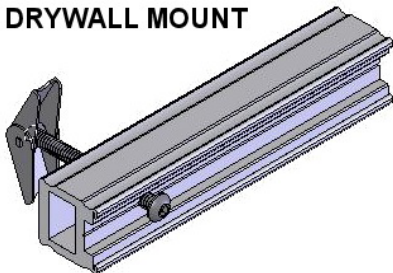
**STUD MOUNT**



**STUD MOUNT WITH STAND-OFF**



**DRYWALL MOUNT**



**DRYWALL MOUNT WITH STAND-OFF**

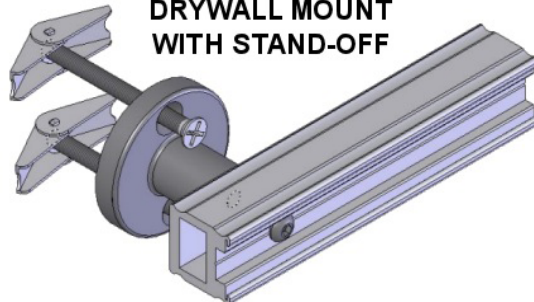
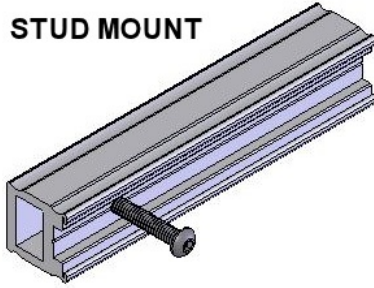
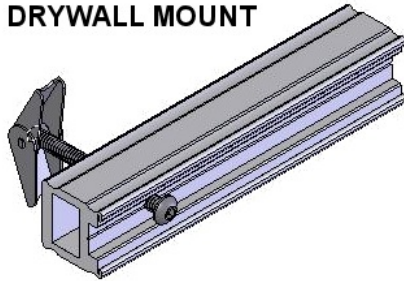


Figure 1

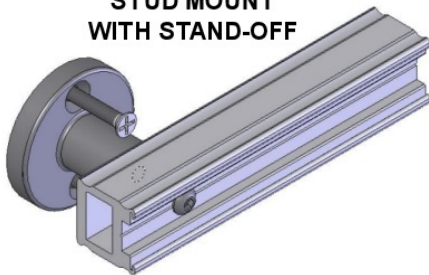
**STUD MOUNT****Mounting H.D Rail to Wall Studs.**

1. Position and level the rail on the wall at the correct height and location provided by the architect.
2. Place one screw through each hole in the rail.
3. Drill the screws through the dry wall and into the wall studs securing the H.D. Rail.

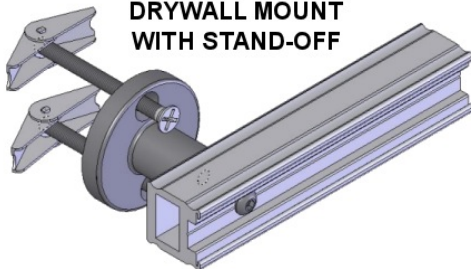
**DRYWALL MOUNT****Mounting H.D. Rail to Dry Wall**

1. Position and level the rail on the wall at the correct height and location provided by the architect.
2. Mark each of the holes in the rail onto the wall.
3. Remove the rail and drill a 5/8" hole at each of the marks on the wall.
4. Replace the Rail and fasten with 1/4-20 machine screws and wing nuts securing the H.D. Rail.

Figure 2

**STUD MOUNT WITH STAND-OFF****Mounting H.D. Rail w/Stand-off to Wall Studs**

1. Place one screw through each hole in the rail.
2. Thread one stand-off onto each screw. Align the two holes in the stand-off perpendicular to the rail as shown in figure 3 and tighten the screws.
3. Position and level the rail on the wall at the correct height and location provided by the architect.
4. Place the sheet metal screws through the two holes in the stand-off and drill through the dry wall and into the wall studs securing the H.D. Rail.

**DRYWALL MOUNT WITH STAND-OFF****Mounting H.D. Rail w/Stand-off to Dry Wall**

1. Place one screw through each hole in the rail.
2. Thread one stand-off onto each screw. Align the two holes in the stand-off perpendicular to the rail as shown in figure 3 and tighten the screws.
3. Position and level the rail on the wall at the correct height and location provided by the architect.
4. Mark each of the holes in the rail onto the wall.
5. Remove the rail and drill a 5/8" hole at each of the marks on the wall.
6. Replace the Rail and fasten each stand-off with two 1/4-20 machine screws and wing nuts securing the H.D. Rail.

Figure 3