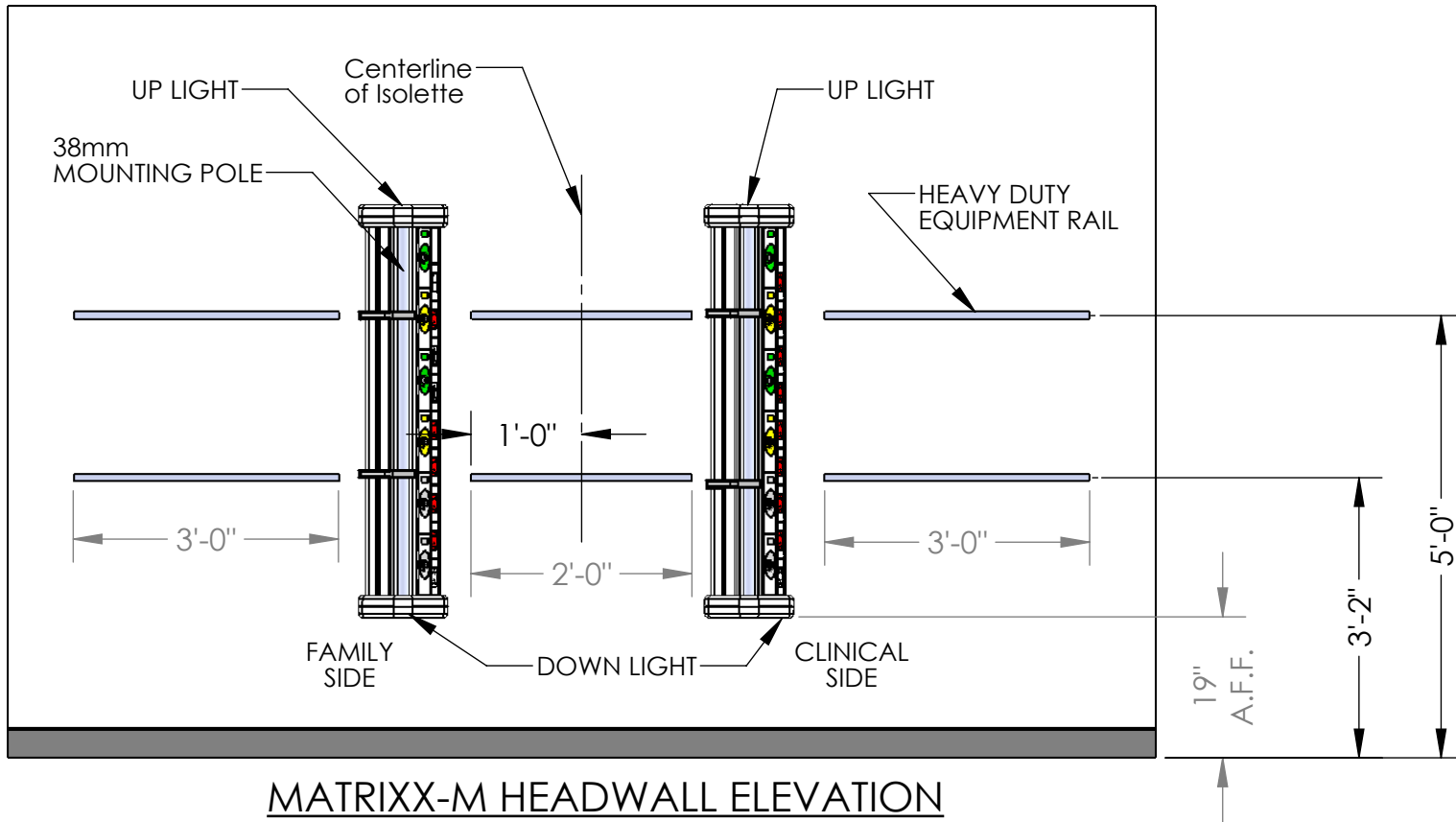


MATRIX-M Headwall
Proposal for:

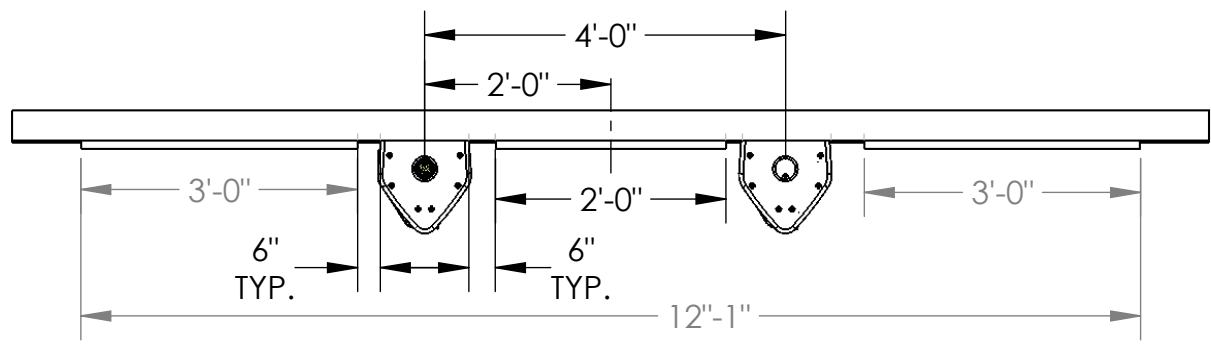
TYPICAL ICU

Prepared: 06.04.14

By: NEXXSPAN HEALTHCARE, L.L.C.



MATRIXx-M HEADWALL ELEVATION



MATRIXx-M HEADWALL PLAN VIEW

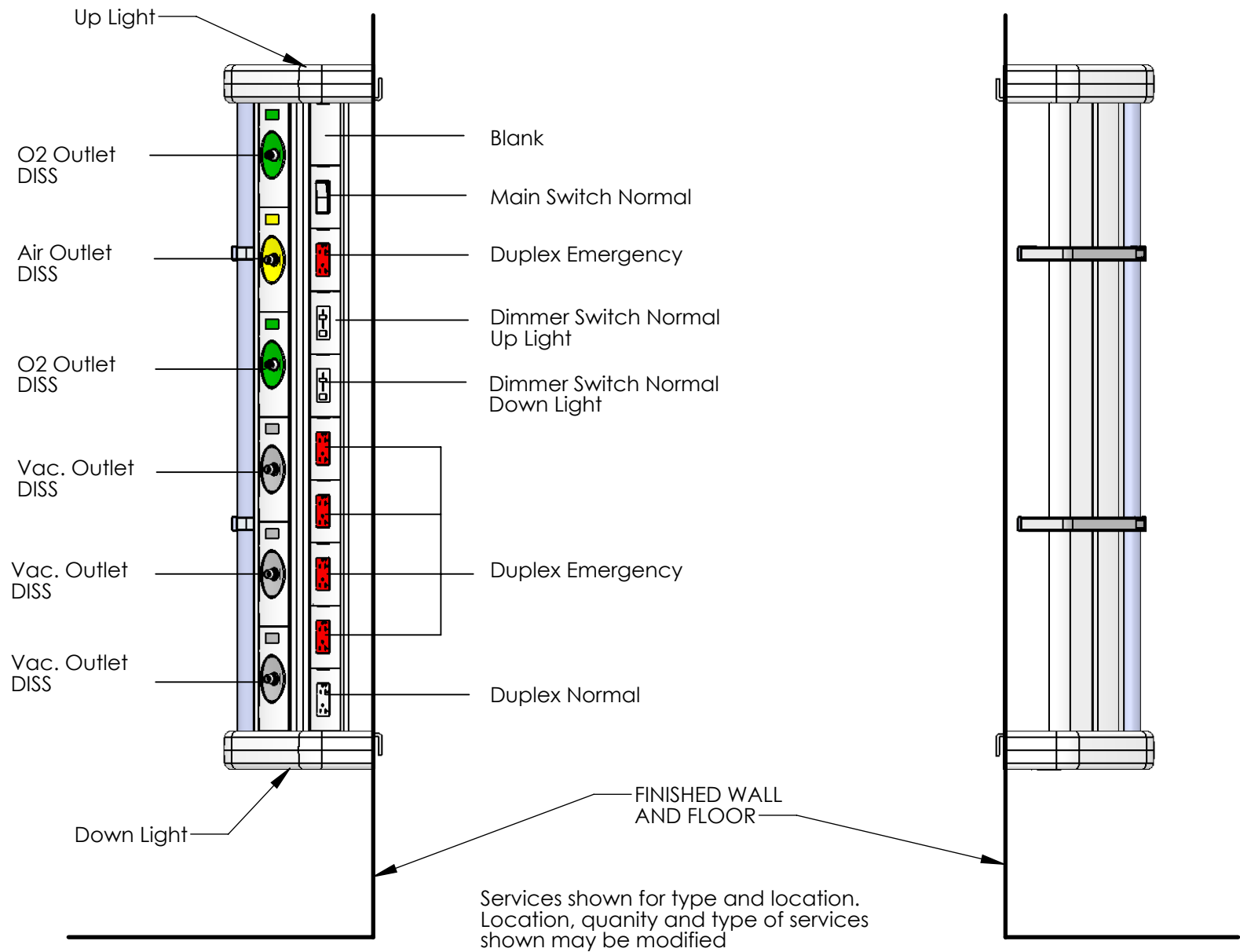
© Matrixx-M Headwall Manufactured
By Nexspan Healthcare, LLC.
(U.S. Patent - 7.425.679 and 7.211.726)

The information contained in this drawing is the sole property of Nexspan Healthcare, LLC. Any reproduction in part or in whole without the written permission of Nexspan Healthcare, LLC. is strictly prohibited.



Hospital
Typical Matrixx-M/ICU

Project Description	REVISION	Drawing Number
Elevation	A	A1.1
Drawing Description		
Matrixx-M		



CLINICAL SIDE VIEW MATRIXX-M ELEVATIONS

© Matrixx-M Headwall manufactured by Nexspan Healthcare, LLC. (U.S. Patent - 7.425.679 and 7.211.726)

The information contained in this drawing is the sole property of Nexspan Healthcare, LLC. Any reproduction in part or in whole without the written permission of Nexspan Healthcare, LLC. is strictly prohibited.



Hospital

Typical Matrixx-M/ICU

Project Description

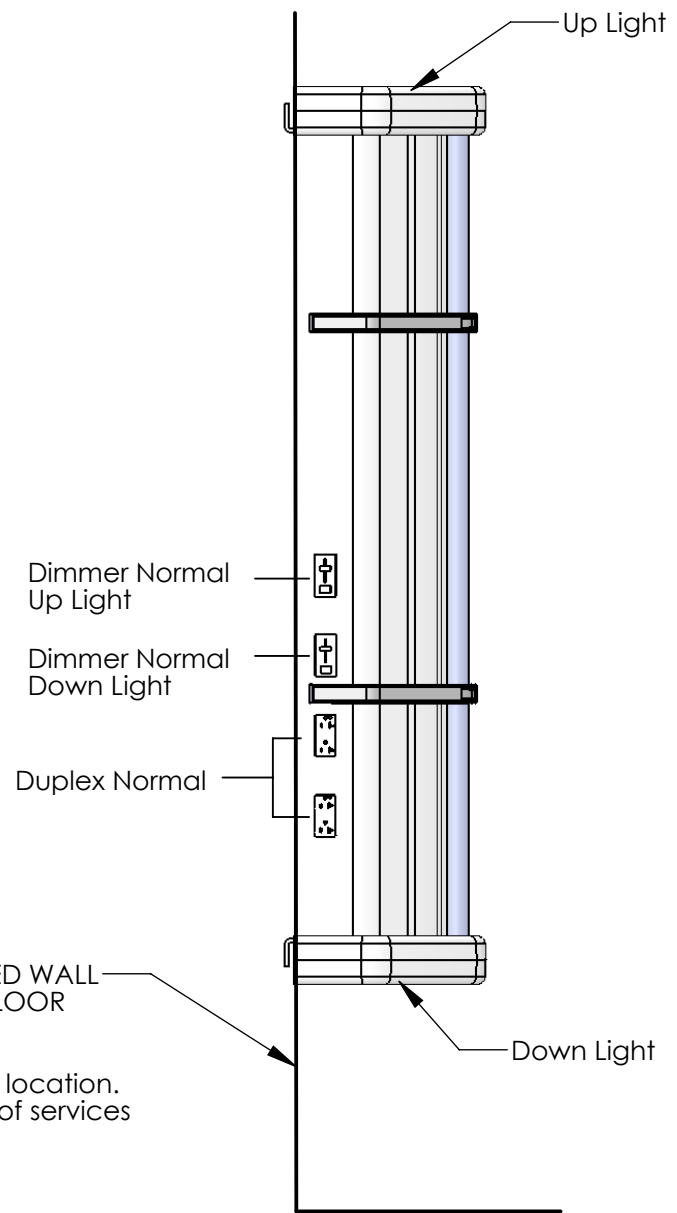
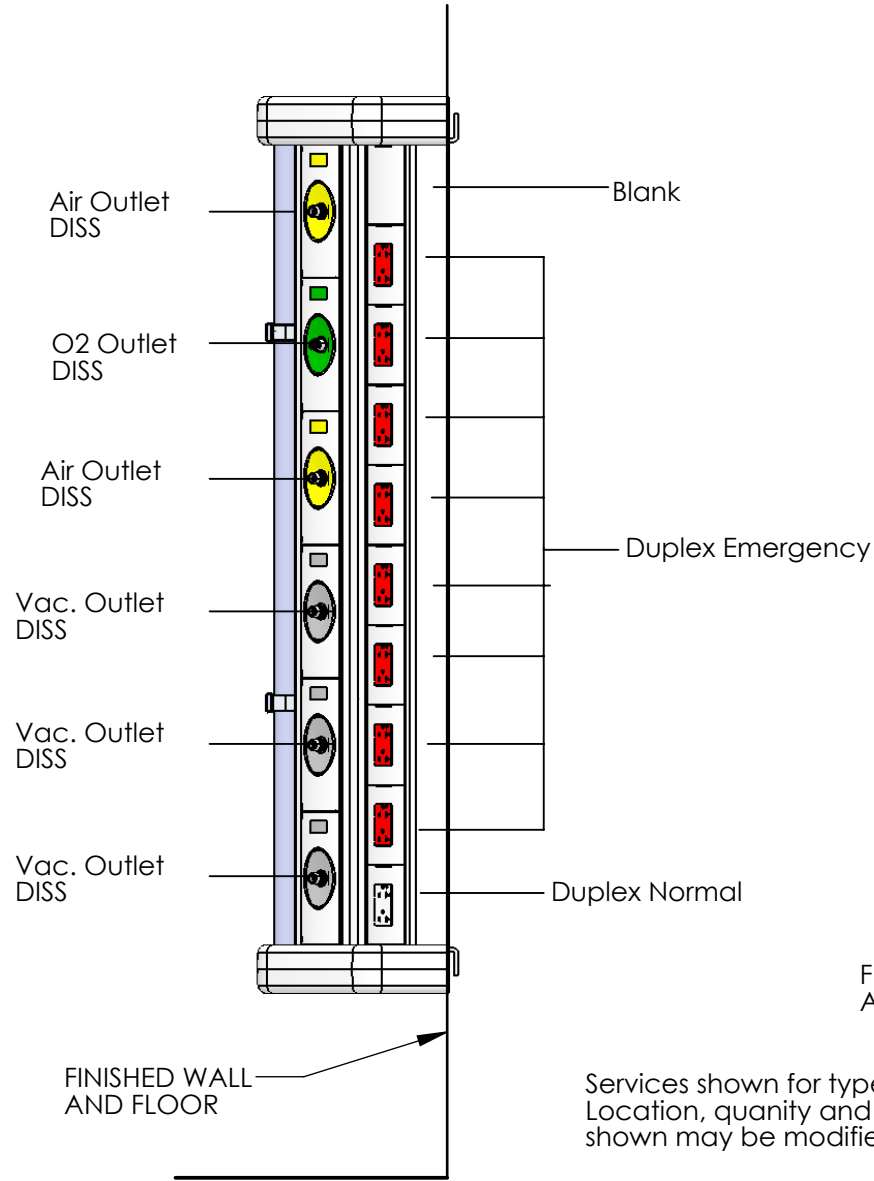
Outlet Location

Matrixx-M

REVISION Drawing Number

A

A1.2



Services shown for type and location. Location, quantity and type of services shown may be modified.

FAMILY SIDE VIEW MATRIXx-M ELEVATIONS

© Matrixx-M Headwall manufactured by Nexspan Healthcare, LLC. (U.S. Patent - 7.425.679 and 7.211.726)

The information contained in this drawing is the sole property of Nexspan Healthcare, LLC. Any reproduction in part or in whole without the written permission of Nexspan Healthcare, LLC. is strictly prohibited.



Hospital

Typical Matrixx-M/ICU

Project Description

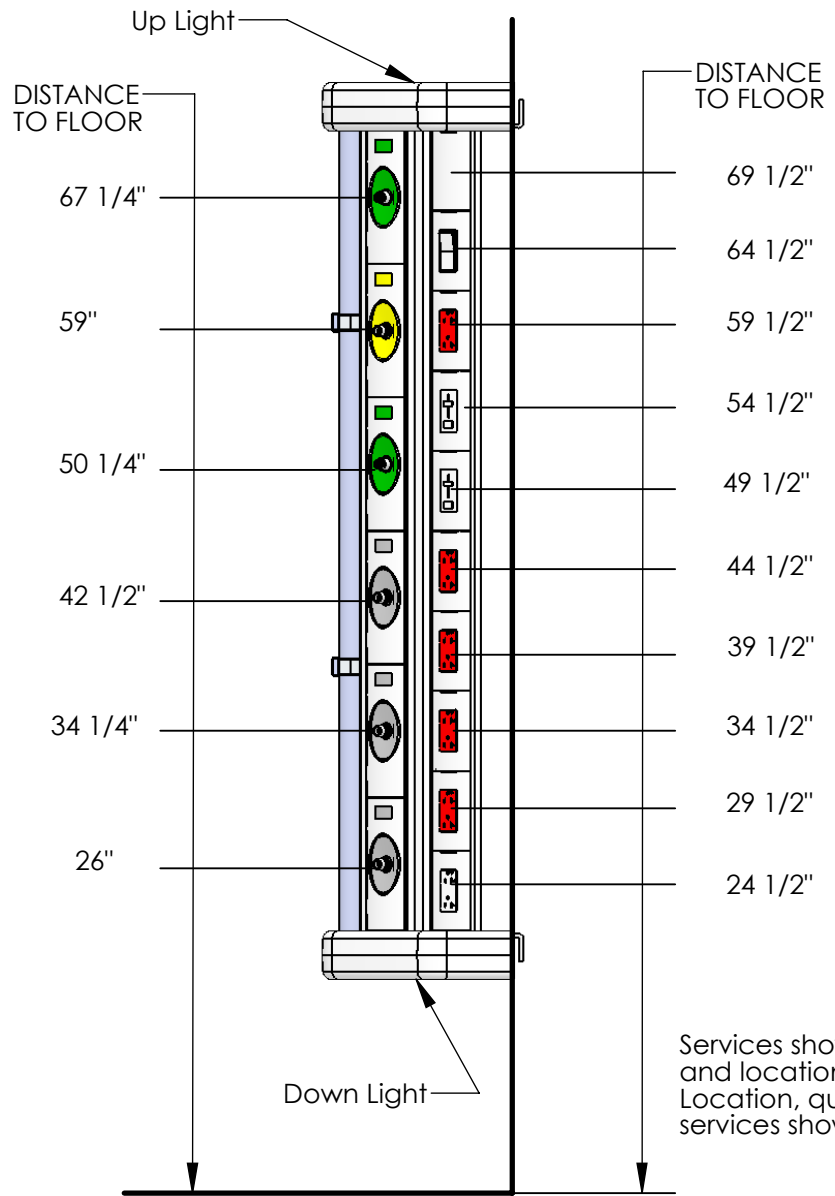
Outlet Location

Matrixx-M

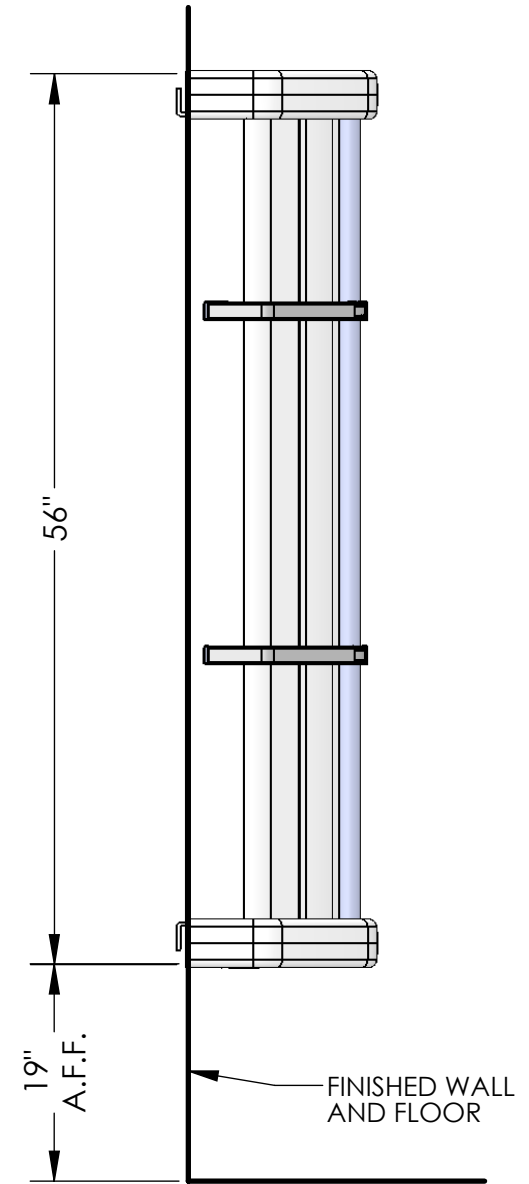
REVISION Drawing Number

A

A1.3



Services shown for type and location. Location, quantity and type of services shown may be modified.



CLINICAL SIDE VIEW MATRIXX-M ELEVATIONS

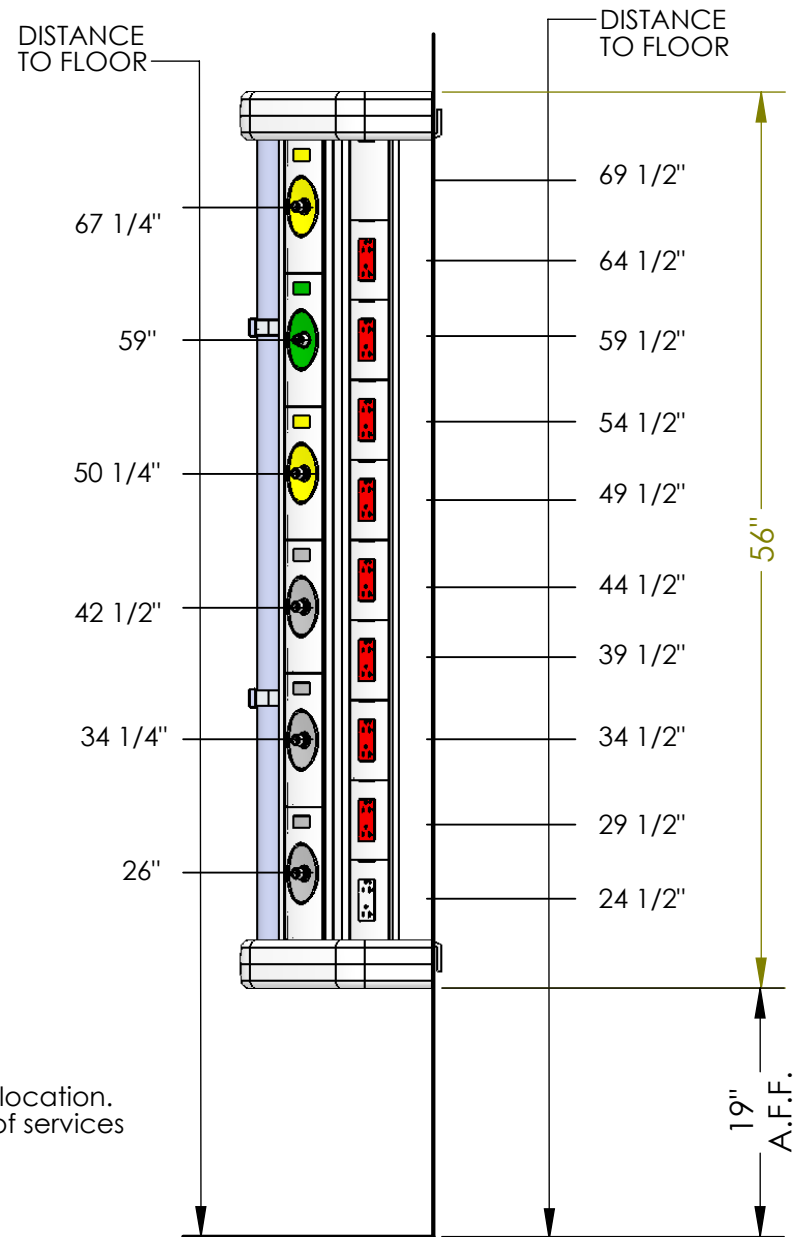
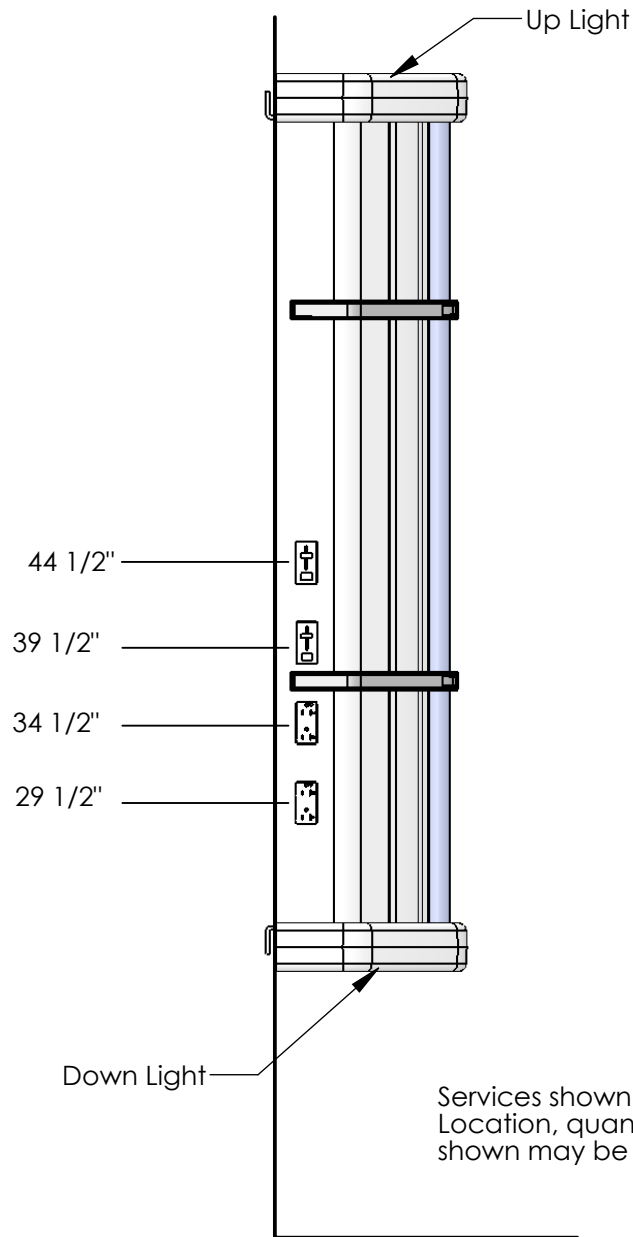
© Matrixx-M Headwall manufactured by Nexspan Healthcare, LLC. (U.S. Patent - 7.425.679 and 7.211.726)

The information contained in this drawing is the sole property of Nexspan Healthcare, LLC. Any reproduction in part or in whole without the written permission of Nexspan Healthcare, LLC. is strictly prohibited.



Hospital
Typical Matrixx-M/ICU

Project Description Dimensions	REVISION A	Drawing Number A1.4
Drawing Description Matrixx-M		



Services shown for type and location.
Location, quantity and type of services
shown may be modified.

FAMILY SIDE VIEW MATRIXX-M ELEVATIONS

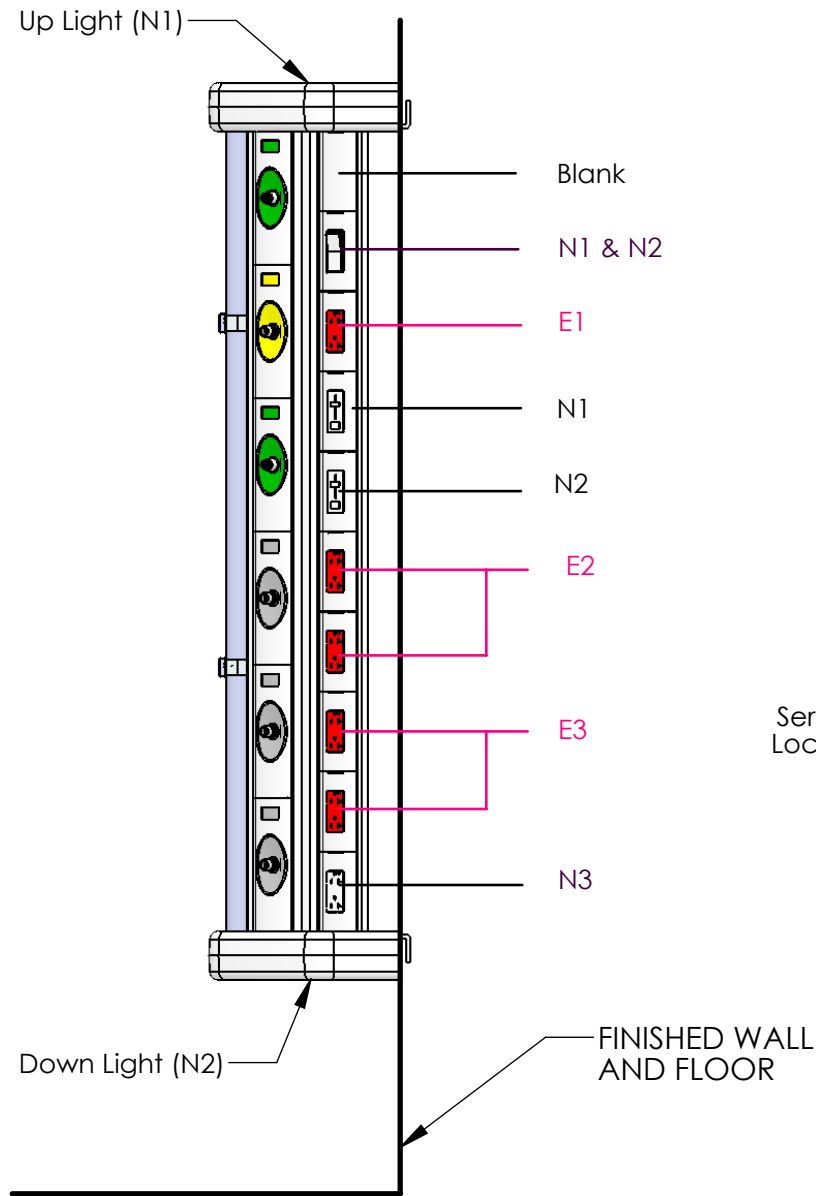
FINISHED WALL
AND FLOOR

© Matrixx-M Headwall manufactured
by Nexspan Healthcare, LLC.
(U.S. Patent - 7.425.679 and
7.211.726)

The information contained in this
drawing is the sole property of
Nexspan Healthcare, LLC. Any
reproduction in part or in whole
without the written permission
of Nexspan Healthcare, LLC.
is strictly prohibited.



Hospital	Project Description	REVISION	Drawing Number
Typical Matrixx-M/ICU	Dimensions	A	A1.5
	Drawing Description		
	Matrixx-M		



Services shown for type and location.
Location, quantity and type of services
shown may be modified

CLINICAL SIDE VIEW MATRIXX-M ELEVATIONS

© Matrixx-M Headwall manufactured
by Nexspan Healthcare, LLC.
(U.S. Patent - 7.425.679 and
7.211.726)

The information contained in this drawing is the sole property of Nexspan Healthcare, LLC. Any reproduction in part or in whole without the written permission of Nexspan Healthcare, LLC. is strictly prohibited.



Hospital

Typical Matrixx-M/ICU

Project Description

Electrical

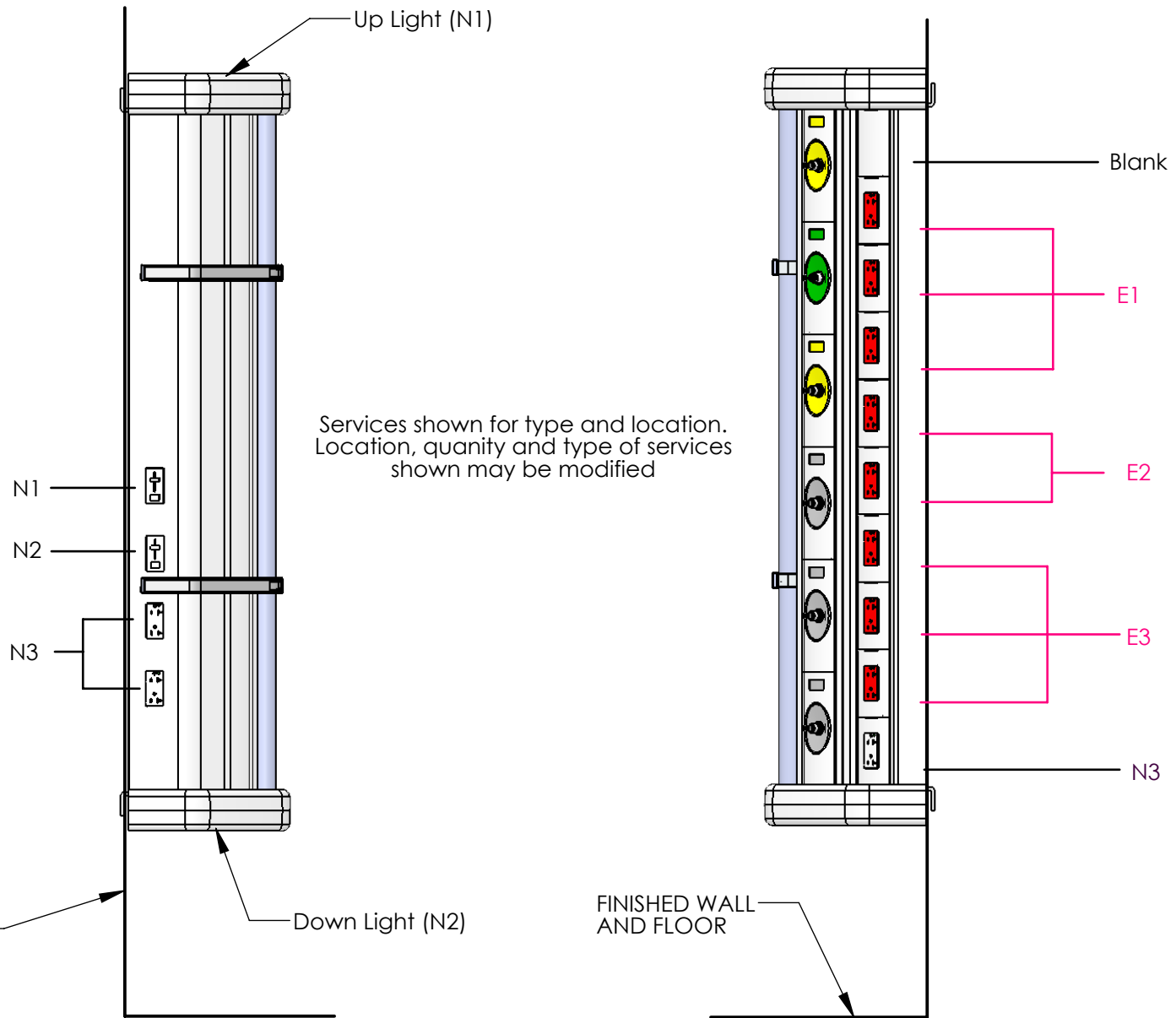
REVISION Drawing Number

A

Drawing Description

Matrixx-M

E1



Services shown for type and location.
Location, quantity and type of services
shown may be modified

FAMILY SIDE VIEW MATRIXX-M ELEVATIONS

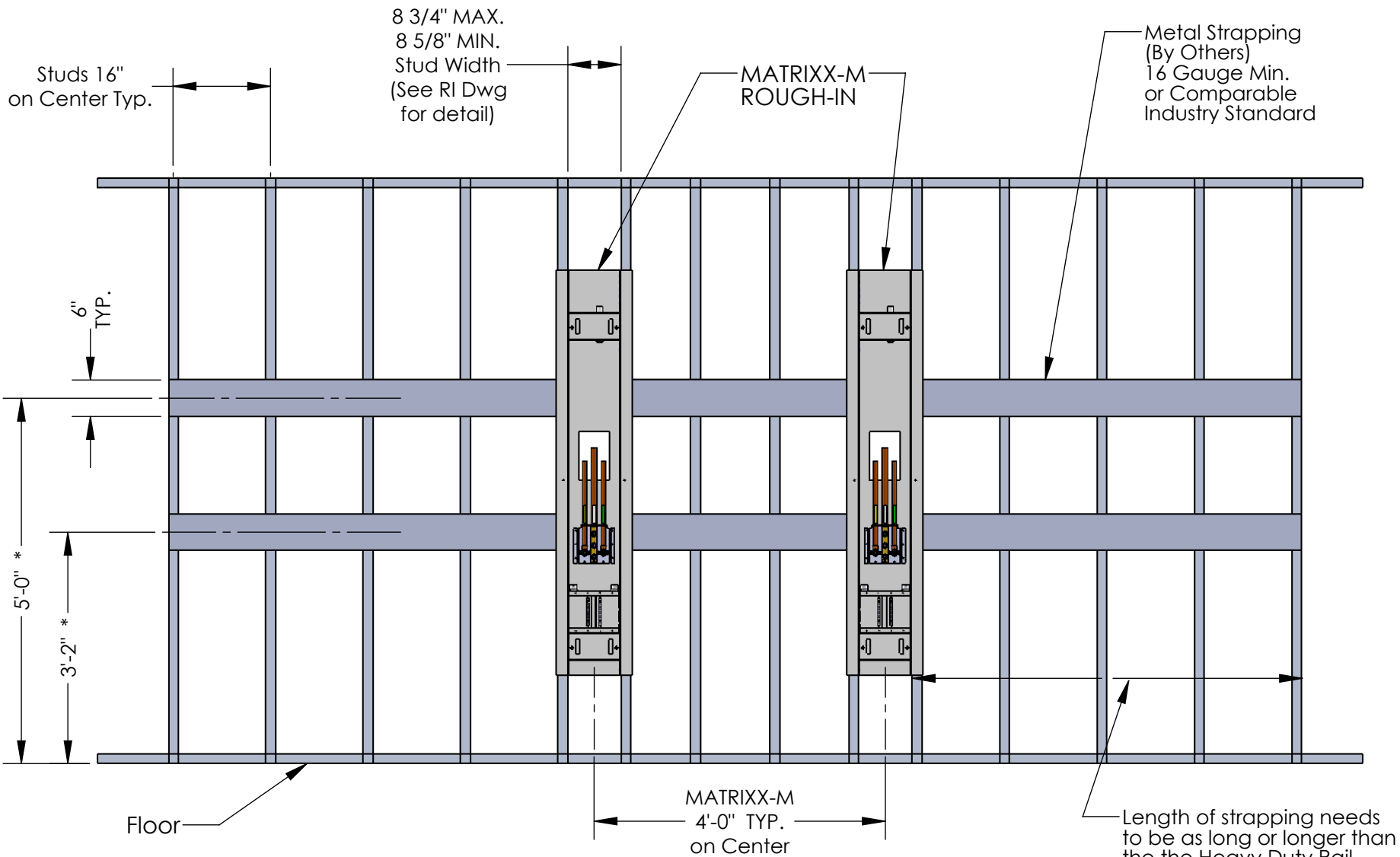
© Matrixx-M Headwall manufactured
by Nexspan Healthcare, LLC.
(U.S. Patent - 7.425.679 and
7.211.726)

The information contained in this drawing is the sole property of Nexspan Healthcare, LLC. Any reproduction in part or in whole without the written permission of Nexspan Healthcare, LLC. is strictly prohibited.



Hospital
Typical Matrixx-M/ICU

Project Description	REVISION	Drawing Number
Electrical	A	E2
Drawing Description Matrixx-M		



TYPICAL HEAVY DUTY RAIL STRAPPING ELEVATION

* Rail configuration can be different per signed submittal. Please Verify.

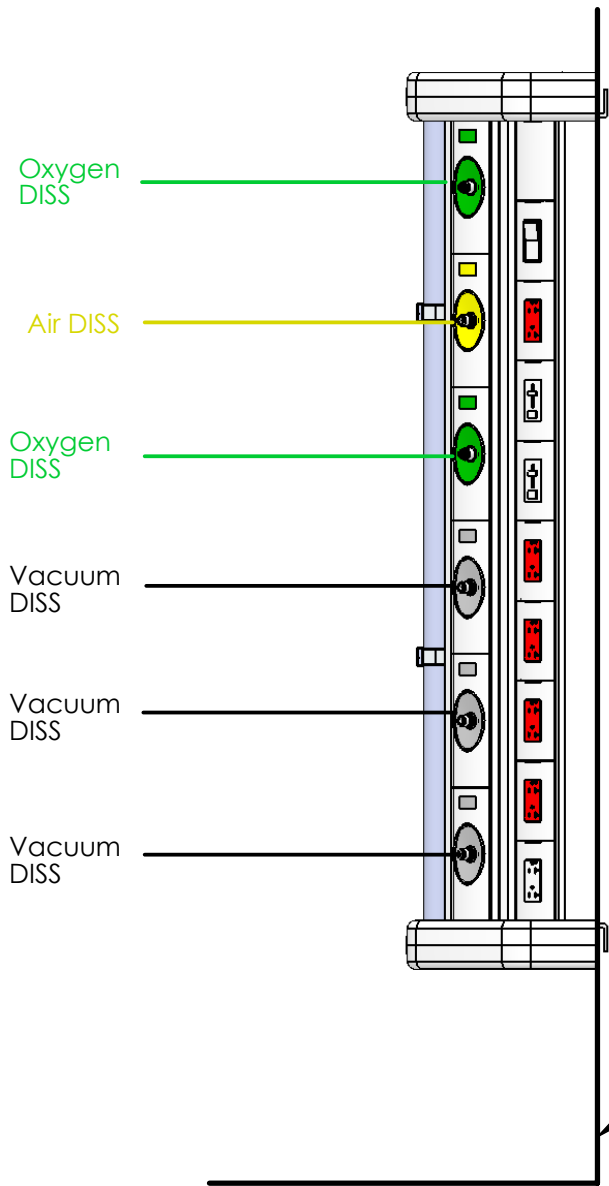
© Matrixx-M Headwall Manufactured By Nexspan Healthcare, LLC. (U.S. Patent - 7.425.679 and 7.211.726)

The information contained in this drawing is the sole property of Nexspan Healthcare, LLC. Any reproduction in part or in whole without the written permission of Nexspan Healthcare, LLC. is strictly prohibited.



Hospital
Typical Matrixx-M/ICU

Project Description	REVISION	Drawing Number
Strapping	A	HDR
Drawing Description		
Matrixx-M		



Services shown for type and location.
 Location, quantity and type of services shown may be modified.
 Outlets are DISS. Feed end hoses are supplied
 with DISS Connectors by Nexspan.

FINISHED WALL
 AND FLOOR

CLINICAL SIDE VIEW MATRIXX-M ELEVATIONS

© Matrixx-M Headwall manufactured
 by Nexspan Healthcare, LLC.
 (U.S. Patent - 7.425.679 and
 7.211.726)

The information contained in this
 drawing is the sole property of
 Nexspan Healthcare, LLC. Any
 reproduction in part or in whole
 without the written permission
 of Nexspan Healthcare, LLC,
 is strictly prohibited.



Hospital

Typical Matrixx-M/ICU

Project Description

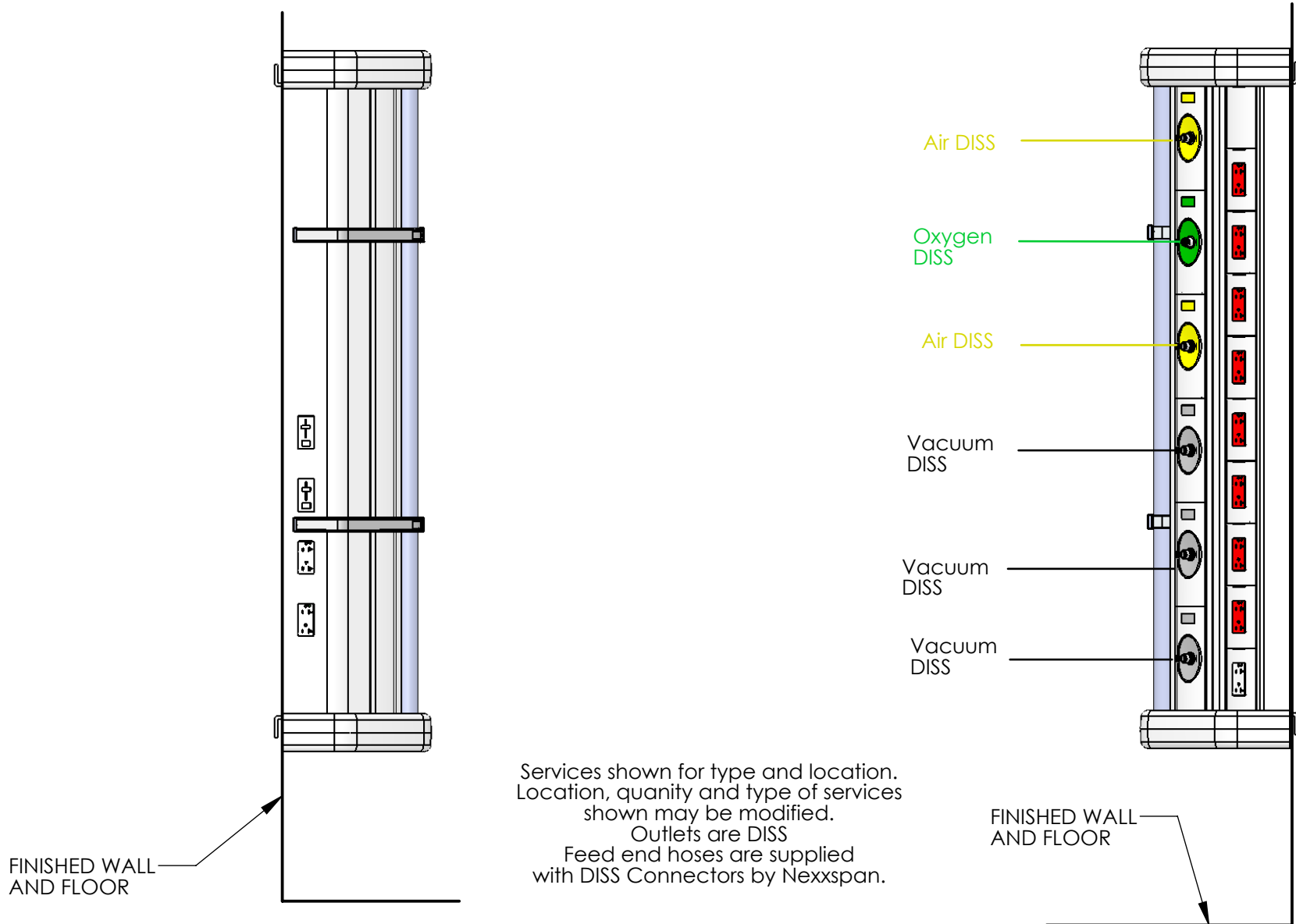
Plumbing

Drawing Description
 Matrixx-M

REVISION Drawing Number

A

P1



Services shown for type and location.
 Location, quantity and type of services
 shown may be modified.
 Outlets are DISS
 Feed end hoses are supplied
 with DISS Connectors by Nexspan.

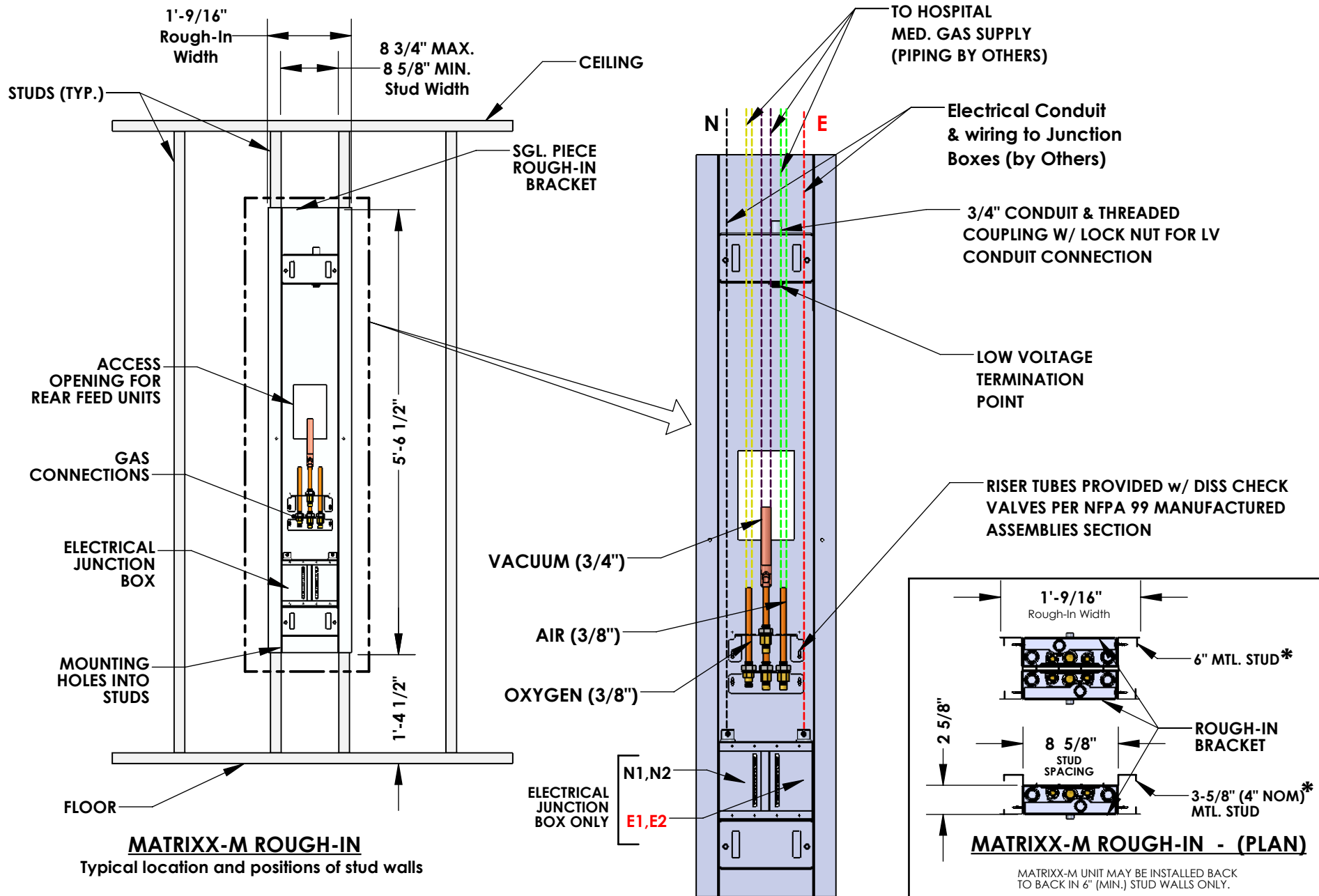
FAMILY SIDE VIEW MATRIXX-M ELEVATIONS

© Matrixx-M Headwall manufactured
 by Nexspan Healthcare, LLC.
 (U.S. Patent - 7.425.679 and
 7.211.726)

The information contained in this drawing is the sole property of Nexspan Healthcare, LLC. Any reproduction in part or in whole without the written permission of Nexspan Healthcare, LLC. is strictly prohibited.



Hospital	Project Description	REVISION	Drawing Number
Typical Matrixx-M/ICU	Plumbing	A	P2
	Drawing Description		
	Matrixx-M		



MATRIXX-M ROUGH-IN
Typical location and positions of stud walls

© Matrixx-M Headwall Manufactured
By Nexspan Healthcare, LLC.
(U.S. Patent - 7.425.679 and 7.211.726)

The information contained in this drawing is the sole property of Lifespan Healthcare, LLC. Any reproduction in part or in whole without the written permission of Lifespan Healthcare, LLC, is strictly prohibited.

Project Date

Project Number

Drawn By
M RABY

File Location



NexspanTM

Hospital

Typical Matrixx-M/ICU

Project Description

MATRIXX-M

Drawing Description

Matrixx-M Rough-In

Revision

1

Drawing No.

RI

Typical



The **MATRIX-M** Medical Utilities and Equipment Management System Unit by Lifespan Healthcare, LLC. is certified by Intertek in accordance with the conditions of the Certification agreement and Listing Report.

Standard(s): Standards for Medical Electrical Equipment, Part 1: General Requirements for Safety: UL60601-1, 1st Edition, dated April 26, 2006; CAN/CSA-C22.2 No. 601.1-M90 with A1 & A2, Dated March 29, 1999

Intertek Control Number: 3047071

ATM for Report 3045647Q issued September 30, 2009

Typical

Nexxspan HealthCare, LLC

Warranty Statement

The Nexxspan™ product line consists of: (1) Durable products and (2) Non-Durable or Consumable Components

(1) Durable Products

Durable manufactured/labeled products consist of items such as Medical Gas Rail (MGR), Matrixx™ and Matrixx-MTM Headwalls, Axxess™ and Axxess-M Columns, MEMO Carts, Equipment Rail, Snap-Action Adapters, Medical Gas Blocks, IV Transfer Assist Device (TAD™) and associated accessories that are factory-attached to a Snap-Action Adapter, such as Shelves, Baskets, Infusion Pump Mounts, etc.

These products and all components factory installed within them, such as medical gas outlets, electrical receptacles, switches, etc. are warranted to be free from defects in materials and workmanship for five years from the “First-Use” by the hospital, providing such products were installed and/or used in accordance with Nexxspan published installation or operating instructions.

If a defect is found and reported to Nexxspan within FIVE years from the invoiced date of the purchase Nexxspan will, at its option repair or replace the product(s) at no cost to the customer. This includes material and labor.

(2) Non-Durable or Consumable Components Non-Durable or consumable components consist of items such as LED, Incandescent or Florescent bulbs.

These components are warranted for TWO years from “First-USE”. This includes material and labor.

The intended use of Nexxspan products is exclusively for healthcare applications. Products that have been modified or altered in any manner by anyone other than Nexxspan, or used in applications not intended for their use, are excluded from coverage under this Warranty. Any device not manufactured or otherwise provided by Nexxspan or used without the express written consent of Nexxspan to connect, attach or in any manner whatever join another manufacturer’s product to any Nexxspan equipment rail shall cause the Warranty to be null and void.

To make a claim under this Warranty, claimant must be the original purchaser of the product and must have an invoice or similar evidence satisfactory to Nexxspan that establishes the date of purchase and first use prior to making the claim. All claims are to be made directly to Nexxspan’s corporate office.

No product return will be accepted unless accompanied by a return authorization, which can be obtained by contacting Nexxspan.

The remedies contained in this Warranty are expressly agreed to be exclusive as a condition of sale.

THE TERMS OF THE NEXXSPAN WARRANTY ARE COMPLETE AS PRESENTED HERE. THESE WARRANTIES SHALL NOT APPLY TO THE COMPANY’S PRODUCTS OR ANY PART THEREOF THAT HAVE BEEN SUBJECT TO ACCIDENT, NEGLIGENCE, ALTERATION, ABUSE, OR MISUSE. THESE WARRANTIES SHALL APPLY ONLY WITHIN THE BOUNDARIES OF THE CONTINENTAL UNITED STATES, U.S. TERRITORIES, AND CANADA. NEXXSPAN WILL NOT BE LIABLE FOR INCIDENTAL OR CONSEQUENTIAL DAMAGES, NOR FOR CUSTOMER’S LOST PROFIT OR FOR ANY CLAIM OR DEMAND AGAINST CUSTOMER BY ANY OTHER PARTY, AND CUSTOMER AGREES TO INDEMNIFY AND HOLD NEXXSPAN HARMLESS FROM ANY COSTS, LOSS, OR EXPENSE SUFFERED OR INCURRED, INCLUDING ATTORNEY’S FEES, IF ANY SUCH CLAIMS ARE MADE. THIS LIMITATION ON NEXXSPAN’S LIABILITY WILL APPLY REGARDLESS OF THE FORM OF ACTION, WHETHER IN CONTRACT OR IN TORT. THERE ARE NO OTHER WARRANTIES EXCEPT AS EXPRESSLY SET FORTH OR REFERENCED ABOVE, WHETHER EXPRESSED OR IMPLIED, INCLUDING WARRANTY OF MERCHANTABILITY OR FITNESS FOR ANY PARTICULAR PURPOSE.

L/S Form #LQF-LS7. Rev 4