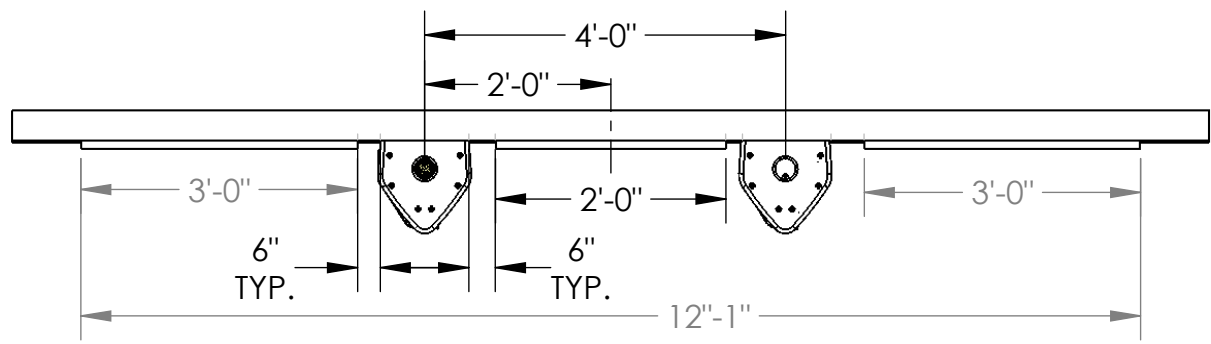
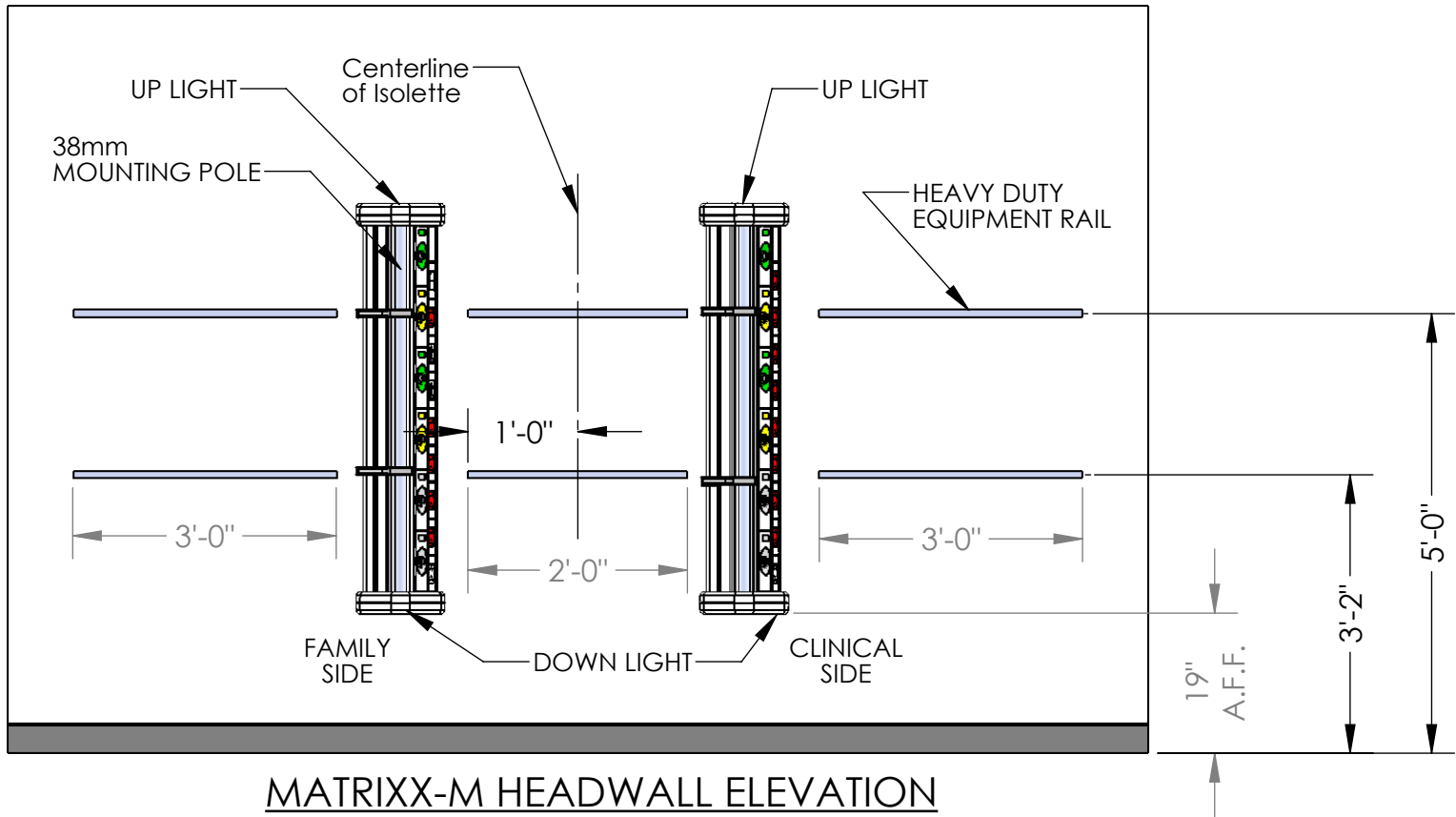


MATRIX-M Headwall  
Proposal for:

TYPICAL NICU

Prepared: 06.04.14

By: NEXXSPAN HEALTHCARE, L.L.C.



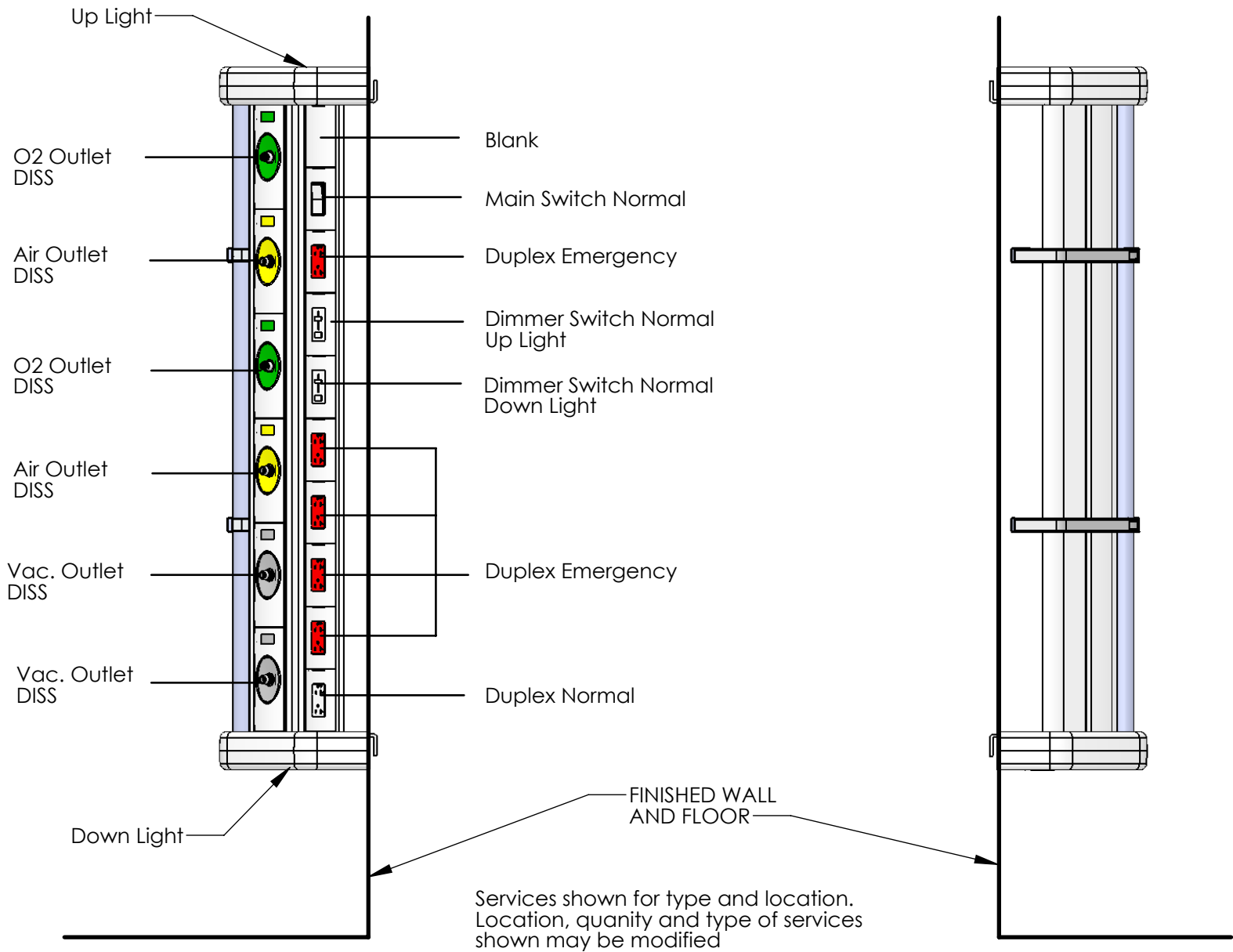
© Matrixx-M Headwall Manufactured  
By Nexspan Healthcare, LLC.  
(U.S. Patent - 7.425.679 and 7.211.726)

The information contained in this drawing is the sole property of Nexspan Healthcare, LLC. Any reproduction in part or in whole without the written permission of Nexspan Healthcare, LLC. is strictly prohibited.



Hospital  
Typical Matrixx-M/NICU

Project Description	REVISION	Drawing Number
Elevation	A	A1.1
Drawing Description		
Matrixx-M		



## CLINICAL SIDE VIEW MATRIXX-M ELEVATIONS

© Matrixx-M Headwall manufactured by Nexspan Healthcare, LLC. (U.S. Patent - 7.425.679 and 7.211.726)

The information contained in this drawing is the sole property of Nexspan Healthcare, LLC. Any reproduction in part or in whole without the written permission of Nexspan Healthcare, LLC. is strictly prohibited.



Hospital

Typical Matrixx-M/NICU

Project Description

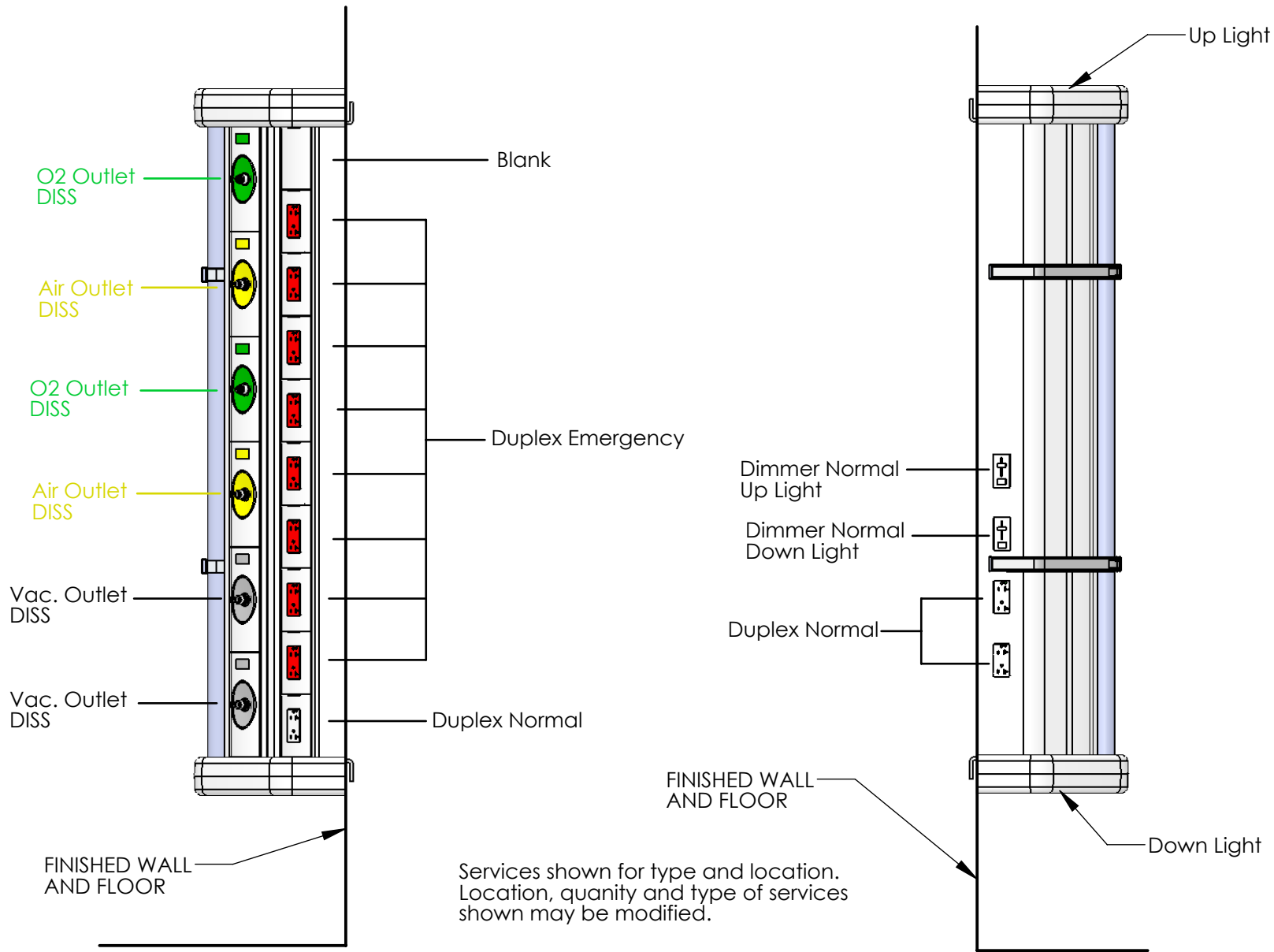
Outlet Location

Matrixx-M

REVISION Drawing Number

A

A1.2



## FAMILY SIDE VIEW MATRIXx-M ELEVATIONS

© Matrixx-M Headwall manufactured by Nexspan Healthcare, LLC. (U.S. Patent - 7.425.679 and 7.211.726)

The information contained in this drawing is the sole property of Nexspan Healthcare, LLC. Any reproduction in part or in whole without the written permission of Nexspan Healthcare, LLC. is strictly prohibited.



Hospital

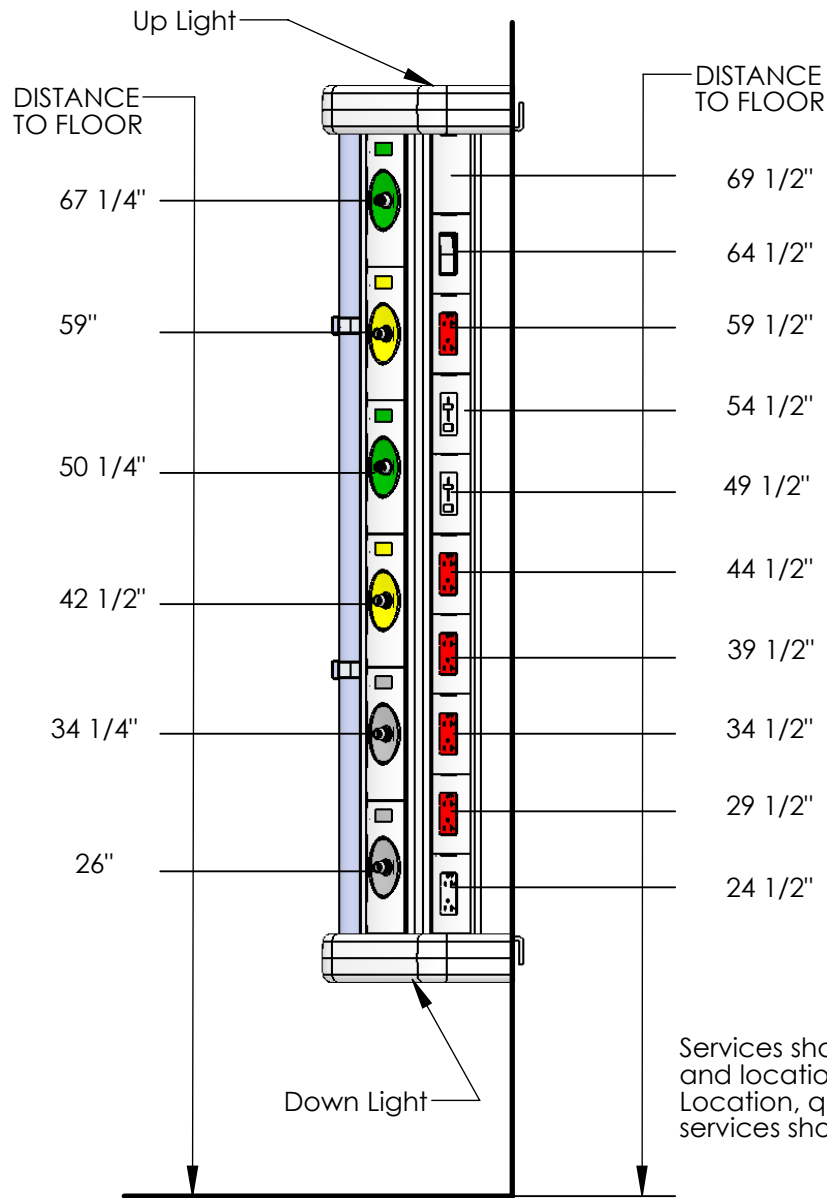
Typical Matrixx-M/NICU

Project Description

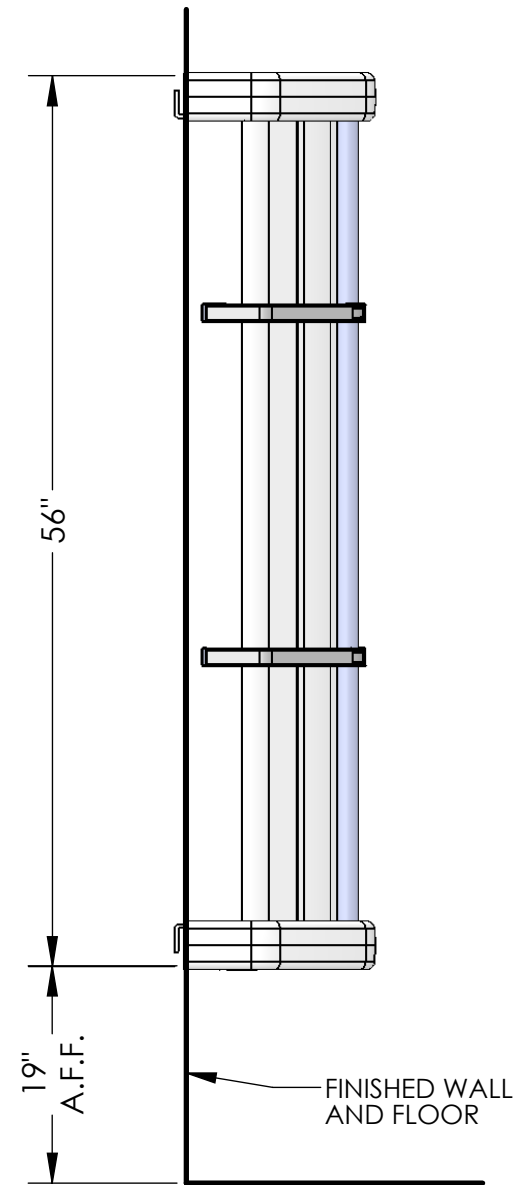
Outlet Location  
Drawing Description  
Matrixx-M

REVISION Drawing Number

A  
A1.3



Services shown for type and location.  
Location, quantity and type of services shown may be modified.



## CLINICAL SIDE VIEW MATRIXX-M ELEVATIONS

© Matrixx-M Headwall manufactured by Nexspan Healthcare, LLC. (U.S. Patent - 7.425.679 and 7.211.726)

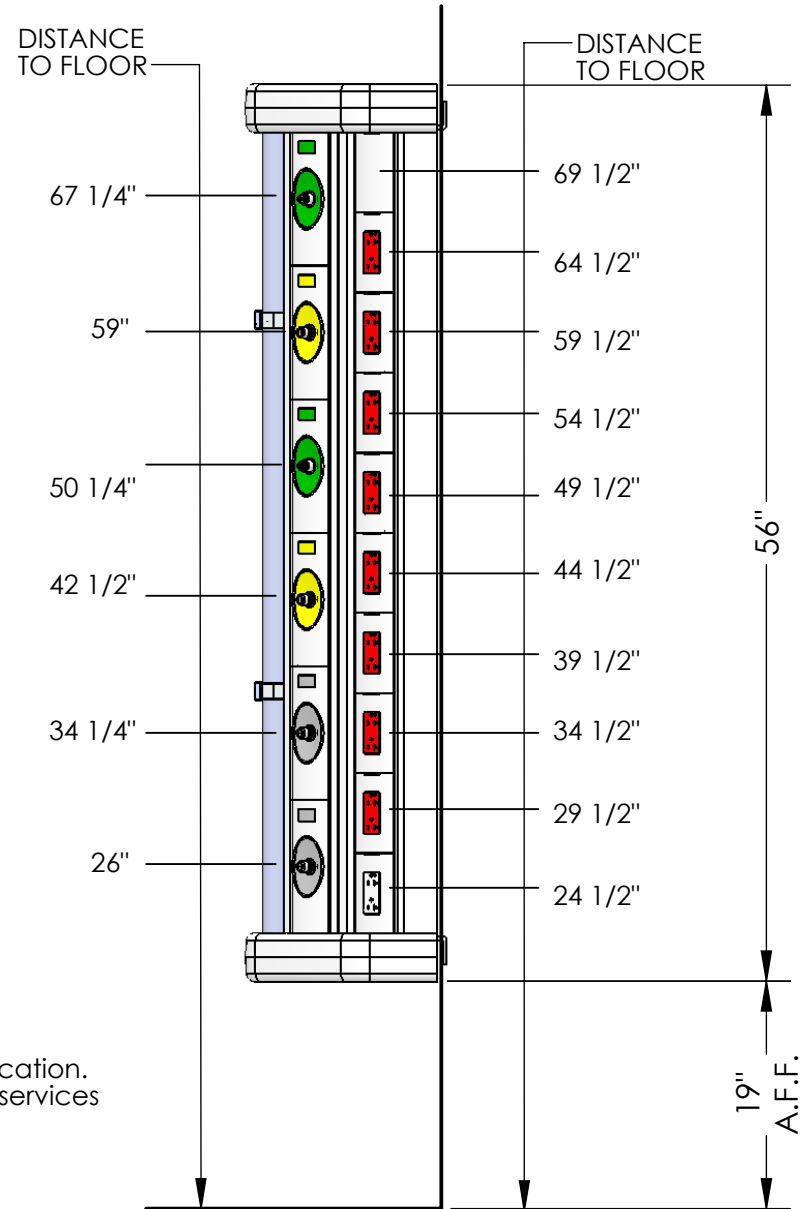
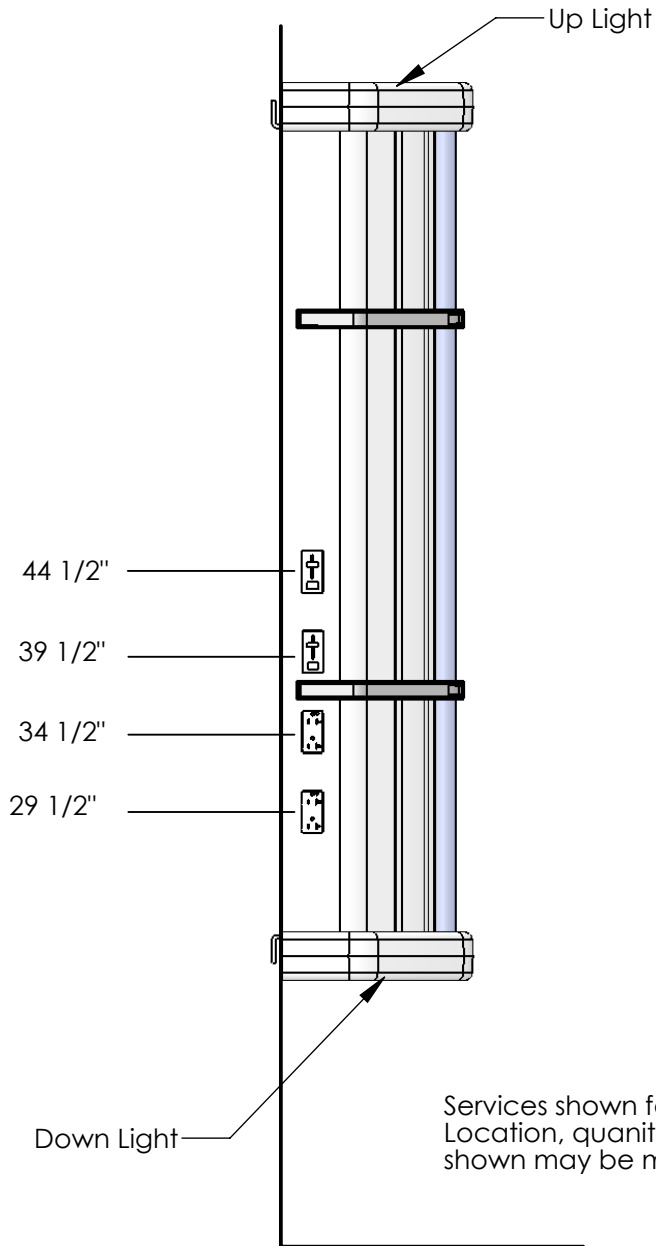
The information contained in this drawing is the sole property of Nexspan Healthcare, LLC. Any reproduction in part or in whole without the written permission of Nexspan Healthcare, LLC. is strictly prohibited.



Hospital  
Typical Matrixx-M/NICU

Project Description  
Dimensions  
Drawing Description  
Matrixx-M

REVISION Drawing Number  
A A1.4



Services shown for type and location. Location, quantity and type of services shown may be modified.

**FAMILY SIDE VIEW MATRIXx-M ELEVATIONS**

FINISHED WALL AND FLOOR

© Matrixx-M Headwall manufactured by Nexspan Healthcare, LLC. (U.S. Patent - 7.425.679 and 7.211.726)

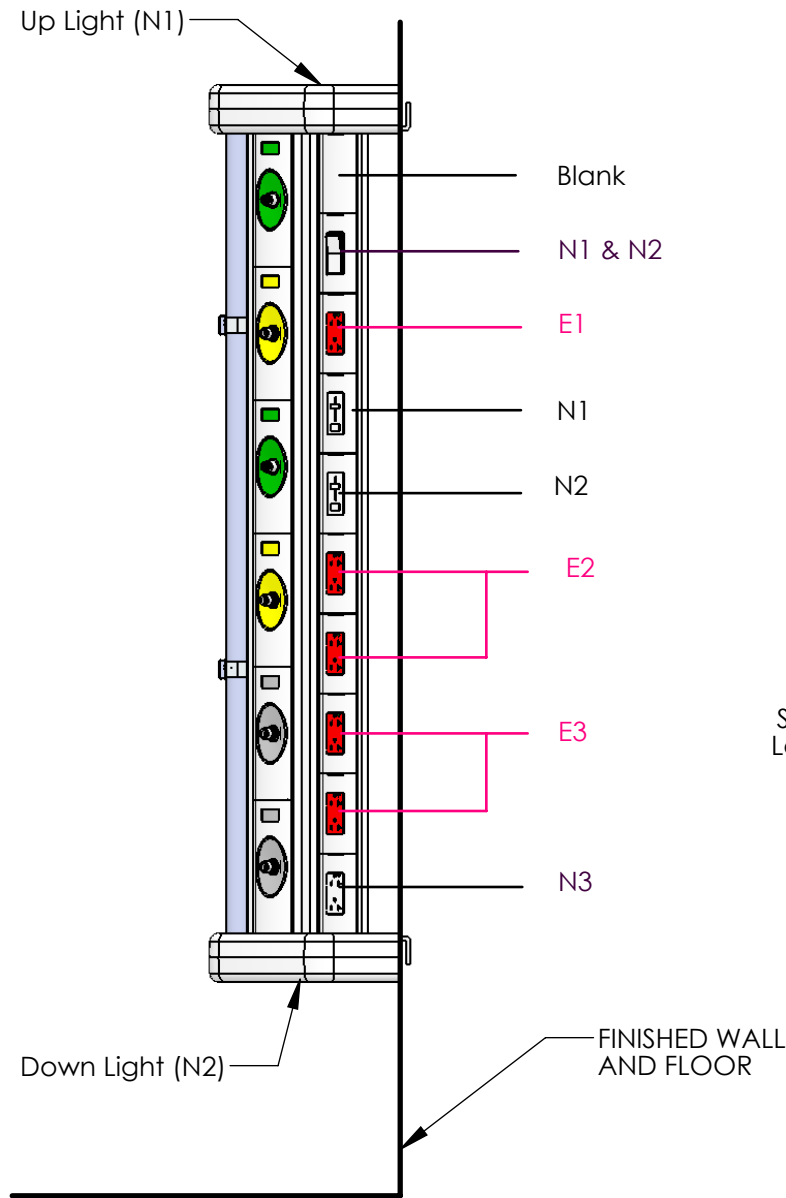
The information contained in this drawing is the sole property of Nexspan Healthcare, LLC. Any reproduction in part or in whole without the written permission of Nexspan Healthcare, LLC. is strictly prohibited.



Hospital  
Typical Matrixx-M/NICU

Project Description  
Dimensions  
Drawing Description  
Matrixx-M

REVISION  
A  
Drawing Number  
A1.5



Services shown for type and location.  
Location, quantity and type of services  
shown may be modified

## CLINICAL SIDE VIEW MATRIXX-M ELEVATIONS

© Matrixx-M Headwall manufactured  
by Nexspan Healthcare, LLC.  
(U.S. Patent - 7.425.679 and  
7.211.726)

The information contained in this  
drawing is the sole property of  
Nexspan Healthcare, LLC. Any  
reproduction in part or in whole  
without the written permission  
of Nexspan Healthcare, LLC,  
is strictly prohibited.



Hospital

Typical Matrixx-M/NICU

Project Description

Electrical

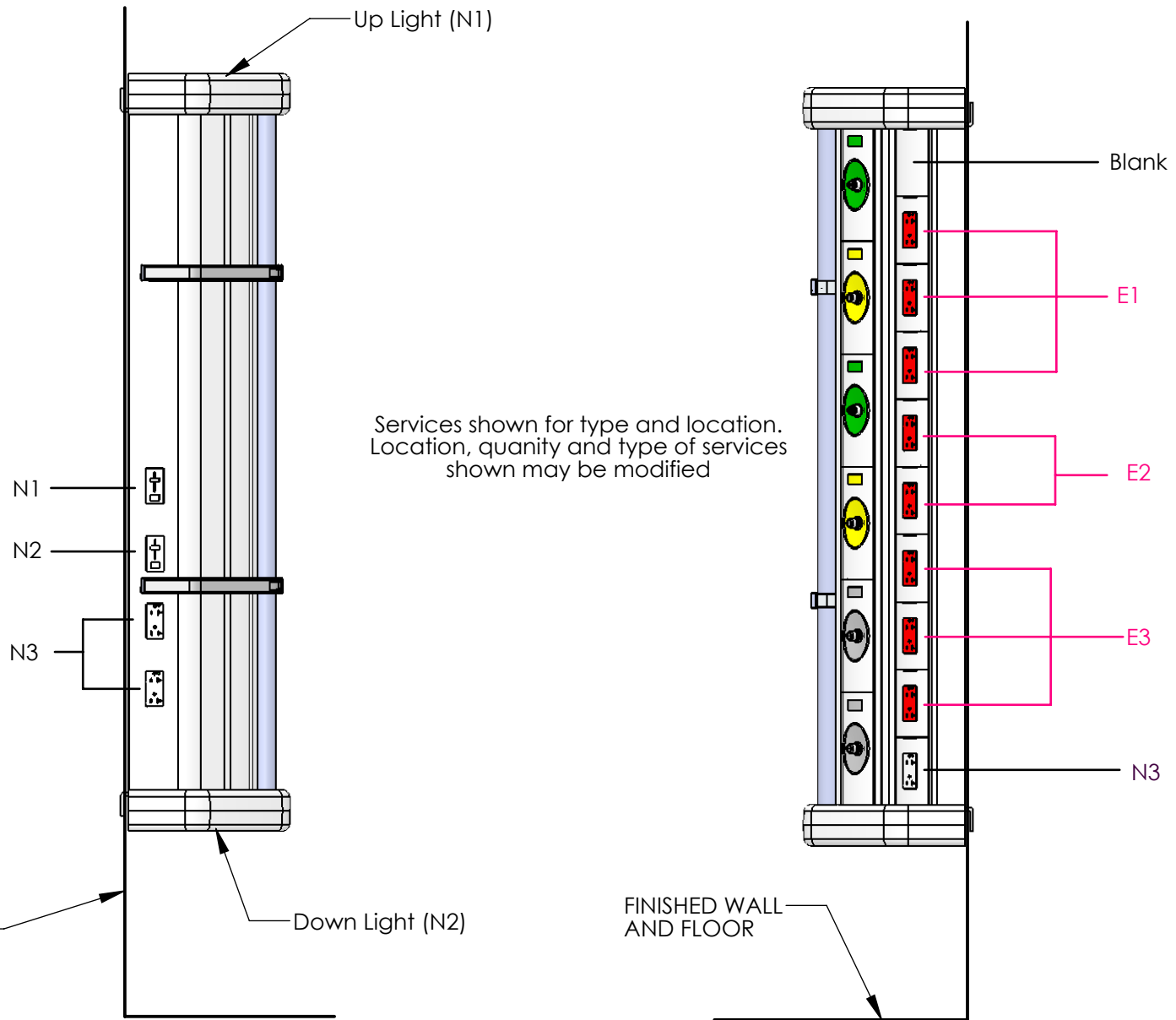
REVISION Drawing Number

A

Drawing Description

Matrixx-M

E1



Services shown for type and location. Location, quantity and type of services shown may be modified

### FAMILY SIDE VIEW MATRIXX-M ELEVATIONS

© Matrixx-M Headwall manufactured by Nexspan Healthcare, LLC. (U.S. Patent - 7.425.679 and 7.211.726)

The information contained in this drawing is the sole property of Nexspan Healthcare, LLC. Any reproduction in part or in whole without the written permission of Nexspan Healthcare, LLC. is strictly prohibited.



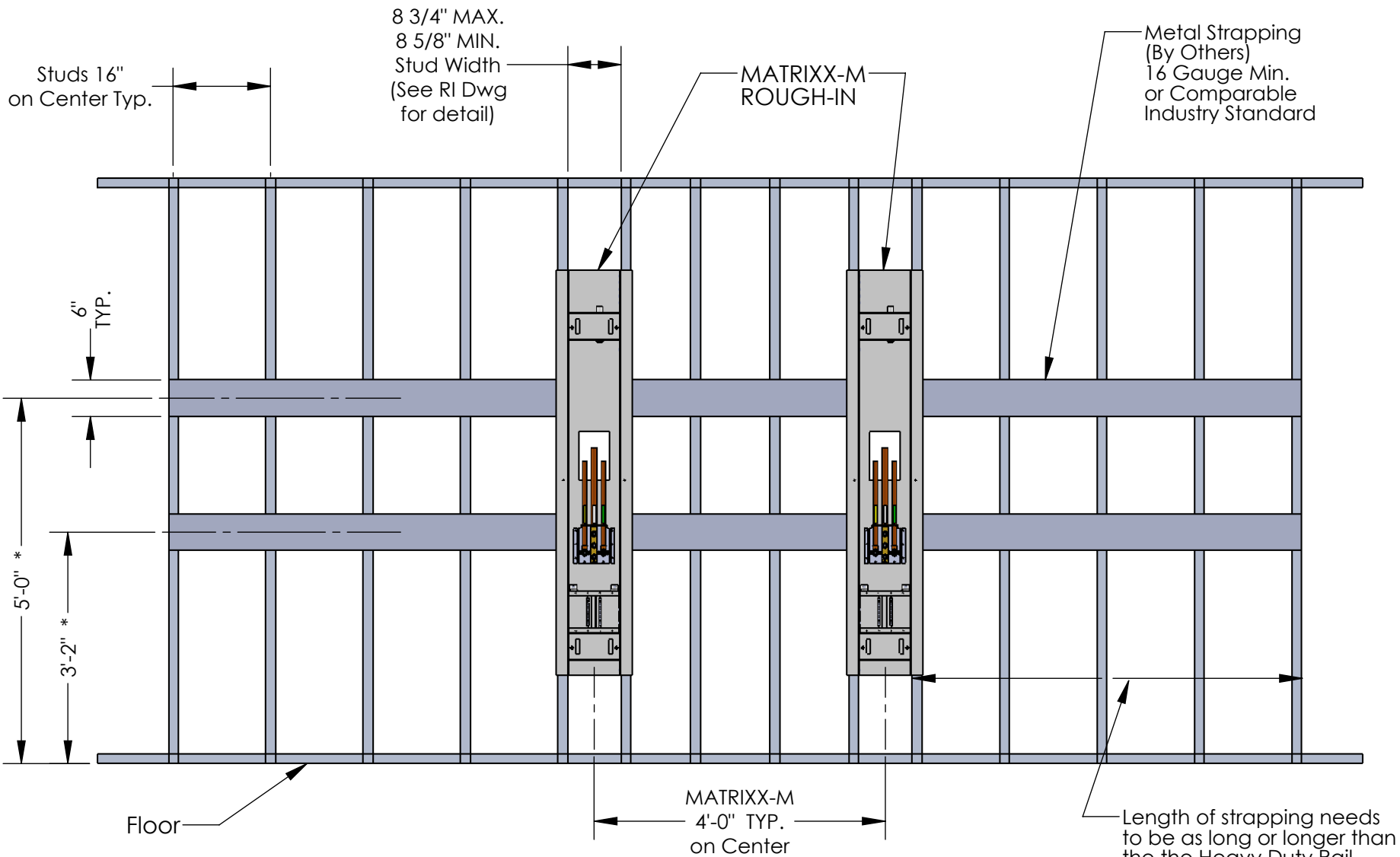
Hospital  
Typical Matrixx-M/NICU

Project Description  
Electrical  
Drawing Description  
Matrixx-M

REVISION Drawing Number

A E2





**TYPICAL HEAVY DUTY RAIL STRAPPING ELEVATION**

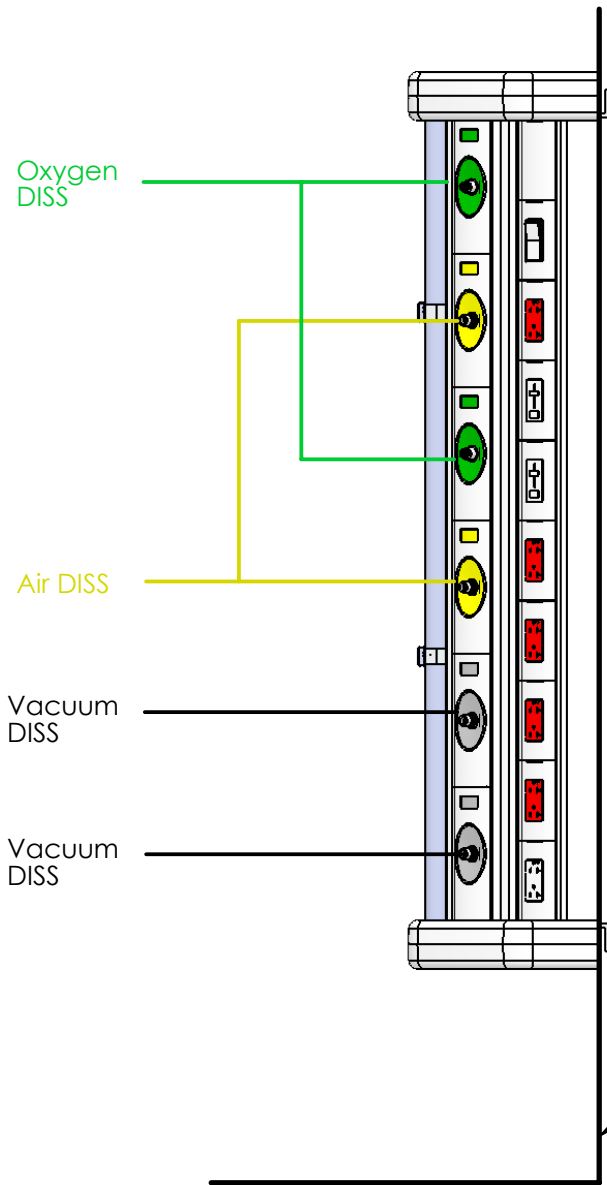
\* Rail configuration can be different per signed submittal. Please Verify.

© Matrixx-M Headwall Manufactured By Nexspan Healthcare, LLC. (U.S. Patent - 7.425.679 and 7.211.726)

The information contained in this drawing is the sole property of Nexspan Healthcare, LLC. Any reproduction in part or in whole without the written permission of Nexspan Healthcare, LLC. is strictly prohibited.



Hospital	Project Description	REVISION	Drawing Number
Typical Matrixx-M/NICU	Strapping	A	HDR
	Drawing Description		
	Matrixx-M		



Services shown for type and location.  
 Location, quantity and type of services shown may be modified.  
 Outlets are DISS. Feed end hoses are supplied  
 with DISS Connectors by Nexspan.

## CLINICAL SIDE VIEW MATRIXX-M ELEVATIONS

© Matrixx-M Headwall manufactured  
 by Nexspan Healthcare, LLC.  
 (U.S. Patent - 7.425.679 and  
 7.211.726)

The information contained in this drawing is the sole property of Nexspan Healthcare, LLC. Any reproduction in part or in whole without the written permission of Nexspan Healthcare, LLC. is strictly prohibited.



Hospital

Typical Matrixx-M/NICU

Project Description

Plumbing

Drawing Description

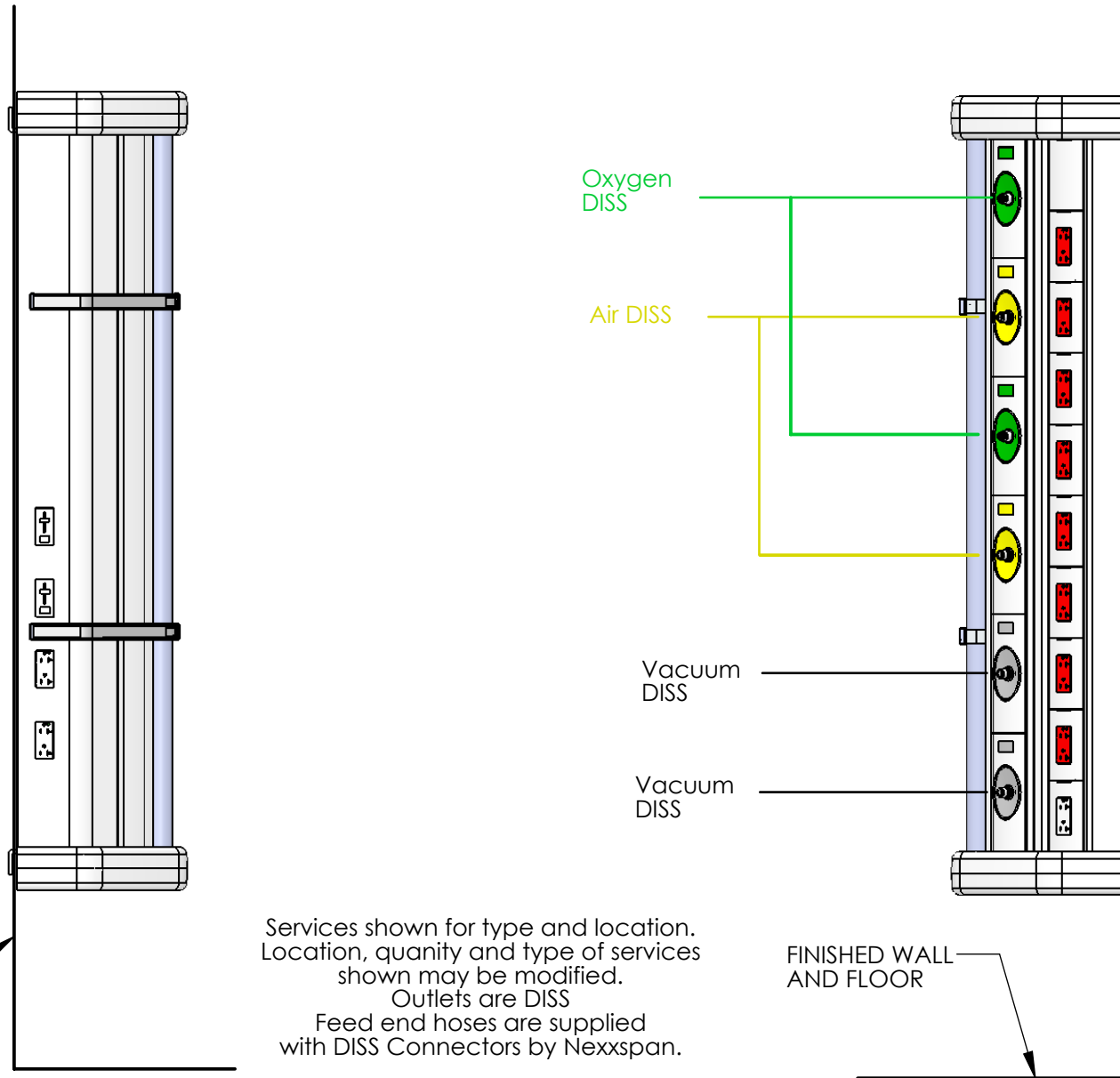
Matrixx-M

REVISION Drawing Number

A

P1

FINISHED WALL  
AND FLOOR



## FAMILY SIDE VIEW MATRIXX-M ELEVATIONS

© Matrixx-M Headwall manufactured by Nexspan Healthcare, LLC. (U.S. Patent - 7.425.679 and 7.211.726)

The information contained in this drawing is the sole property of Nexspan Healthcare, LLC. Any reproduction in part or in whole without the written permission of Nexspan Healthcare, LLC. is strictly prohibited.



Hospital

Typical Matrixx-M/NICU

Project Description

Plumbing

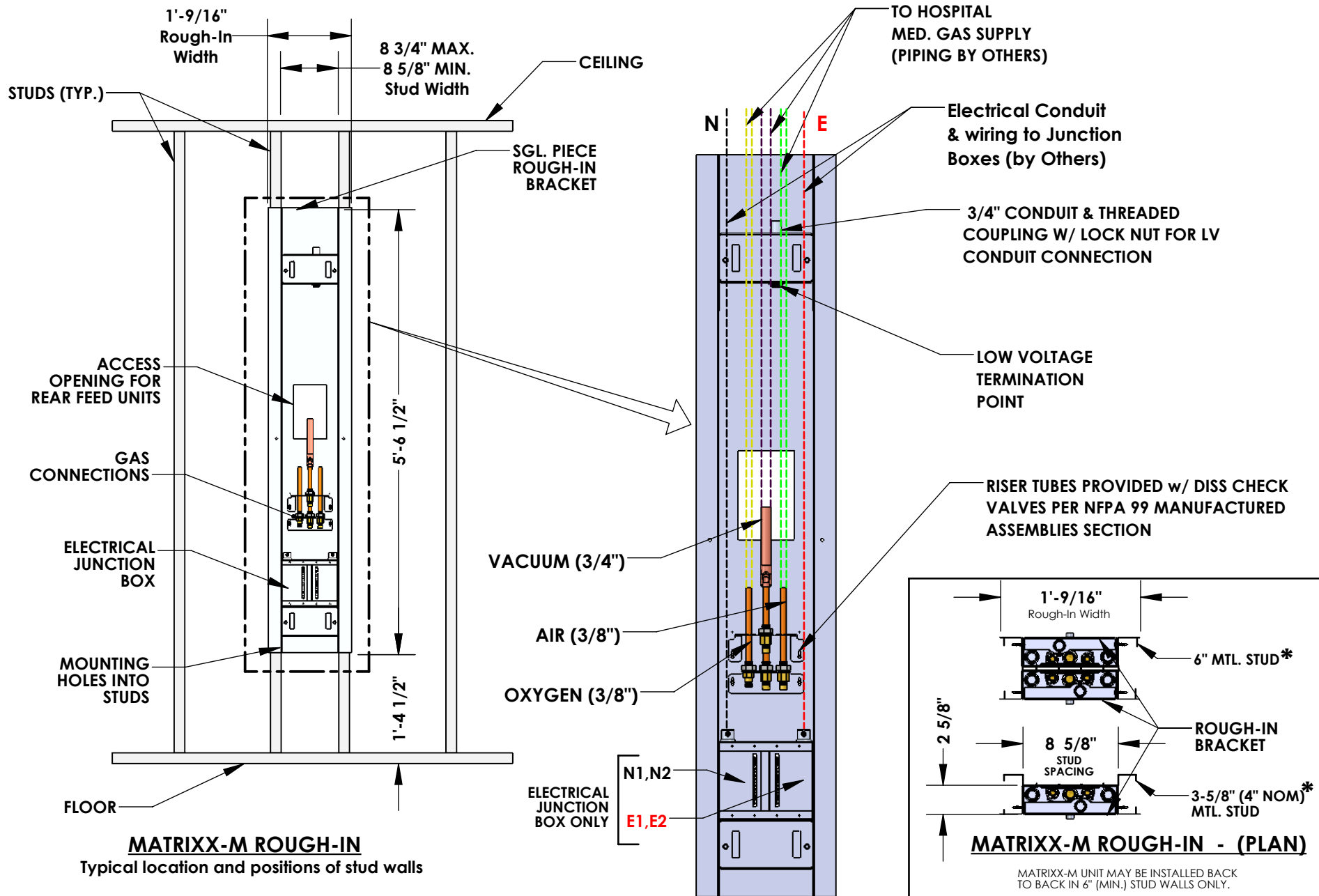
Drawing Description

Matrixx-M

REVISION Drawing Number

A

P2



**MATRIXX-M ROUGH-IN**  
Typical location and positions of stud walls

© Matrixx-M Headwall Manufactured  
By Nexspan Healthcare, LLC.  
(U.S. Patent - 7.425.679 and 7.211.726)

The information contained in this drawing is the sole property of Lifespan Healthcare, LLC. Any reproduction in part or in whole without the written permission of Lifespan Healthcare, LLC, is strictly prohibited.

Project Date

Project Number

Drawn By  
**M RABY**

File Location



**Nexspan**<sup>TM</sup>

Hospital

Typical Matrixx-M/NICU

Project Description

**MATRIXX-M**

Drawing Description

Matrixx-M Rough-In

Revision

**1**

Drawing No.

**RI**

Typical



The **MATRIX-M** Medical Utilities and Equipment Management System Unit by Lifespan Healthcare, LLC. is certified by Intertek in accordance with the conditions of the Certification agreement and Listing Report.

Standard(s): Standards for Medical Electrical Equipment, Part 1: General Requirements for Safety: UL60601-1, 1<sup>st</sup> Edition, dated April 26, 2006; CAN/CSA-C22.2 No. 601.1-M90 with A1 & A2, Dated March 29, 1999

Intertek Control Number: 3047071

ATM for Report 3045647Q issued September 30, 2009

## Typical

### Nexxspan HealthCare, LLC

#### Warranty Statement

The Nexxspan™ product line consists of: (1) Durable products and (2) Non-Durable or Consumable Components

##### **(1) Durable Products**

Durable manufactured/labeled products consist of items such as Medical Gas Rail (MGR), Matrixx™ and Matrixx-MTM Headwalls, Axxess™ and Axxess-M Columns, MEMO Carts, Equipment Rail, Snap-Action Adapters, Medical Gas Blocks, IV Transfer Assist Device (TAD™) and associated accessories that are factory-attached to a Snap-Action Adapter, such as Shelves, Baskets, Infusion Pump Mounts, etc.

*These products and all components factory installed within them, such as medical gas outlets, electrical receptacles, switches, etc. are warranted to be free from defects in materials and workmanship for five years from the "First-Use" by the hospital, providing such products were installed and/or used in accordance with Nexxspan published installation or operating instructions.*

*If a defect is found and reported to Nexxspan within FIVE years from the invoiced date of the purchase Nexxspan will, at its option repair or replace the product(s) at no cost to the customer. This includes material and labor.*

**(2) Non-Durable or Consumable Components** Non-Durable or consumable components consist of items such as LED, Incandescent or Florescent bulbs.

*These components are warranted for TWO years from "First-USE". This includes material and labor.*

The intended use of Nexxspan products is exclusively for healthcare applications. Products that have been modified or altered in any manner by anyone other than Nexxspan, or used in applications not intended for their use, are excluded from coverage under this Warranty. Any device not manufactured or otherwise provided by Nexxspan or used without the express written consent of Nexxspan to connect, attach or in any manner whatever join another manufacturer's product to any Nexxspan equipment rail shall cause the Warranty to be null and void.

*To make a claim under this Warranty, claimant must be the original purchaser of the product and must have an invoice or similar evidence satisfactory to Nexxspan that establishes the date of purchase and first use prior to making the claim. All claims are to be made directly to Nexxspan's corporate office.*

*No product return will be accepted unless accompanied by a return authorization, which can be obtained by contacting Nexxspan.*

The remedies contained in this Warranty are expressly agreed to be exclusive as a condition of sale.

**THE TERMS OF THE NEXXSPAN WARRANTY ARE COMPLETE AS PRESENTED HERE. THESE WARRANTIES SHALL NOT APPLY TO THE COMPANY'S PRODUCTS OR ANY PART THEREOF THAT HAVE BEEN SUBJECT TO ACCIDENT, NEGLIGENCE, ALTERATION, ABUSE, OR MISUSE. THESE WARRANTIES SHALL APPLY ONLY WITHIN THE BOUNDARIES OF THE CONTINENTAL UNITED STATES, U.S. TERRITORIES, AND CANADA. NEXXSPAN WILL NOT BE LIABLE FOR INCIDENTAL OR CONSEQUENTIAL DAMAGES, NOR FOR CUSTOMER'S LOST PROFIT OR FOR ANY CLAIM OR DEMAND AGAINST CUSTOMER BY ANY OTHER PARTY, AND CUSTOMER AGREES TO INDEMNIFY AND HOLD NEXXSPAN HARMLESS FROM ANY COSTS, LOSS, OR EXPENSE SUFFERED OR INCURRED, INCLUDING ATTORNEY'S FEES, IF ANY SUCH CLAIMS ARE MADE. THIS LIMITATION ON NEXXSPAN'S LIABILITY WILL APPLY REGARDLESS OF THE FORM OF ACTION, WHETHER IN CONTRACT OR IN TORT. THERE ARE NO OTHER WARRANTIES EXCEPT AS EXPRESSLY SET FORTH OR REFERENCED ABOVE, WHETHER EXPRESSED OR IMPLIED, INCLUDING WARRANTY OF MERCHANTABILITY OR FITNESS FOR ANY PARTICULAR PURPOSE.**

L/S Form #LQF-LS7. Rev 4