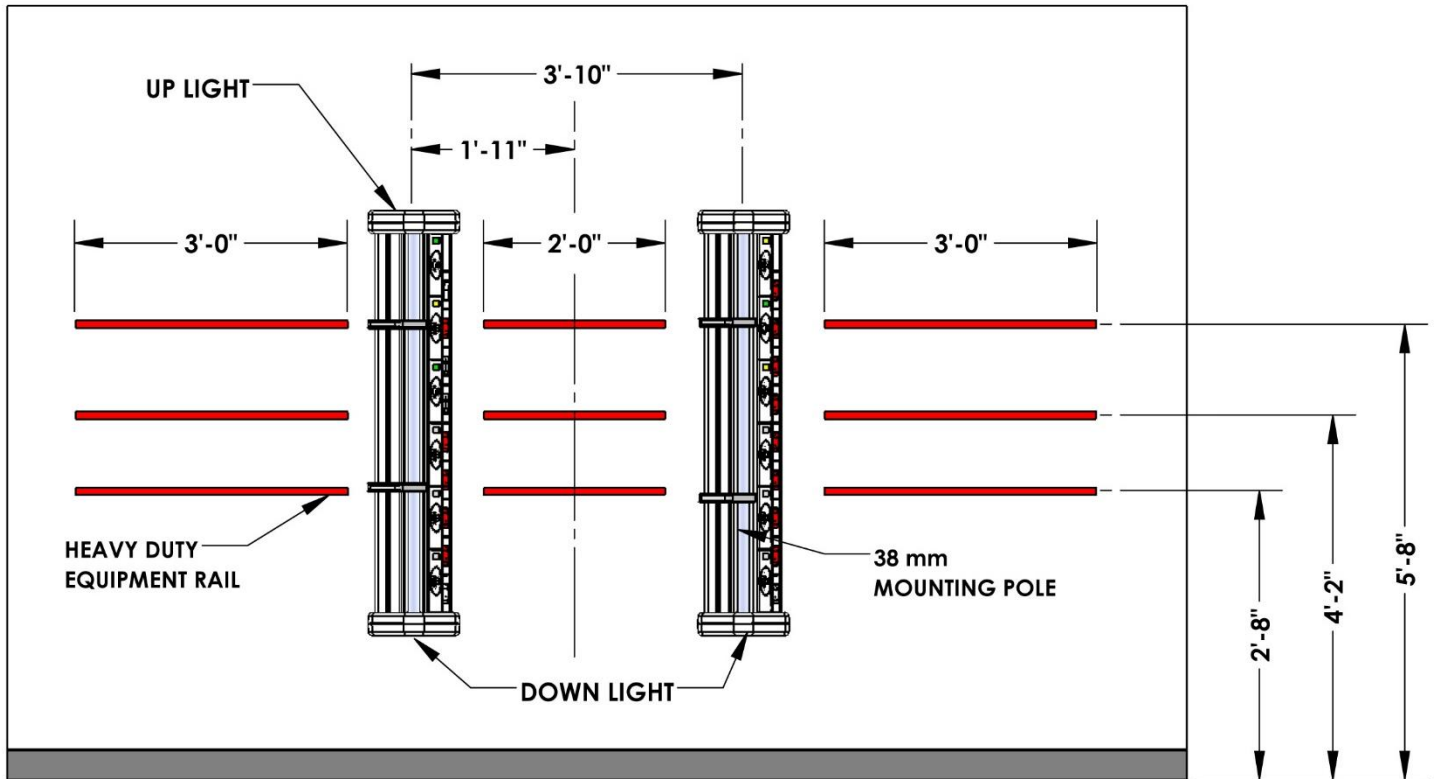
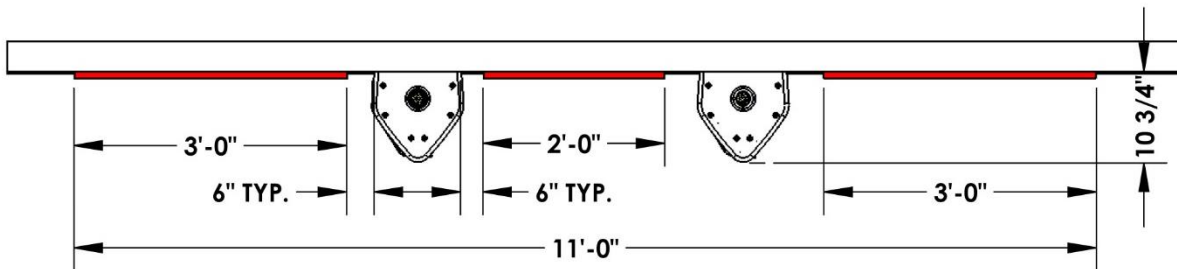


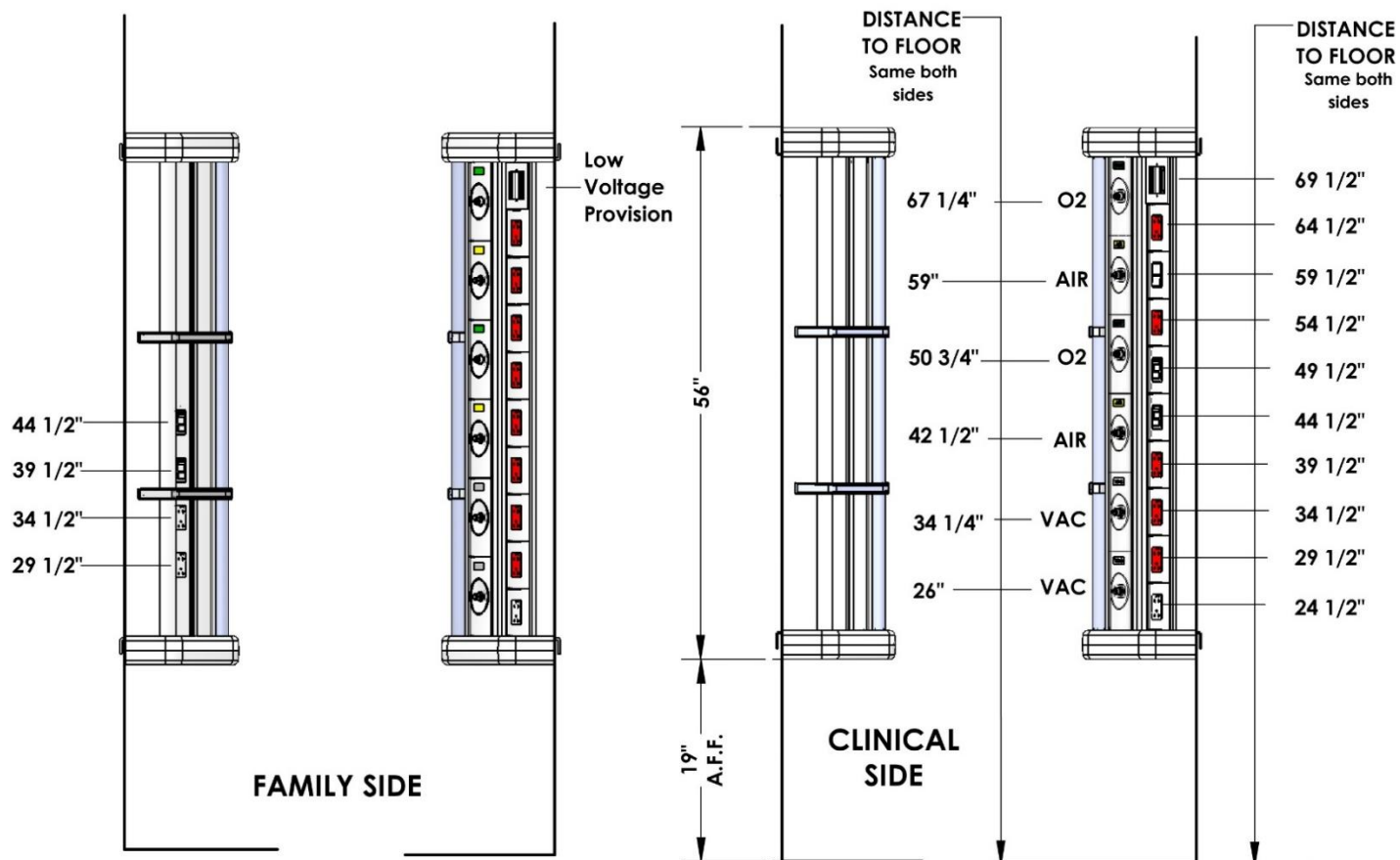
# Product Specification

## Matrixx-M for NICU



## MATRIXX-M HEADWALL NICU





Gas Legend Total Outlets	
	Oxygen Outlet 4
	Air Outlet 4
	Vacuum Outlet 4

Electrical Legend Total Outlets					
	Low Voltage Provision	2		Master Switch Normal	1
	Duplex Emergency	13		Normal Dimmer Up and Down Lights	4
	Normal Emergency	3			

**Footprint:**

- 10 3/4 inch deep x wide x 56 inch high (273 mm x 1422 mm)

**Recommended Height off Floor:**

- 19 inches (482 mm)

**Height to Crown of Plastic Cover:**

- 80 inches (2 m)

**Equipment Posts:**

- 1.5 inch (38 mm) diameter

**Other:**

- Individually controlled Up light and night light per unit

**Electrical Outlets:**

- Maximum capacity 10 outlets
- An additional 4 outlets can be installed outside panel on the family side of the unit

**Electrical Outlets Available:**

- Duplex
- Normal
- Emergency
- Low voltage

**Electrical Outlet Location:**

- Customer specified, 8.25 inch intervals (209 mm)

**Gas Outlets:**

- Maximum capacity 6 outlets per unit with maximum of 2 of vacuum

**Gas Outlets Available**

- Oxygen
- Air
- Vacuum

**Gas Outlet Locations:**

- Customer specified, at 5 inch (127 mm) intervals

**Rough-in hanger bracket kit shipped separately for installation at framing.**

U.S. Patent – 7.425.679 and 7.211.726