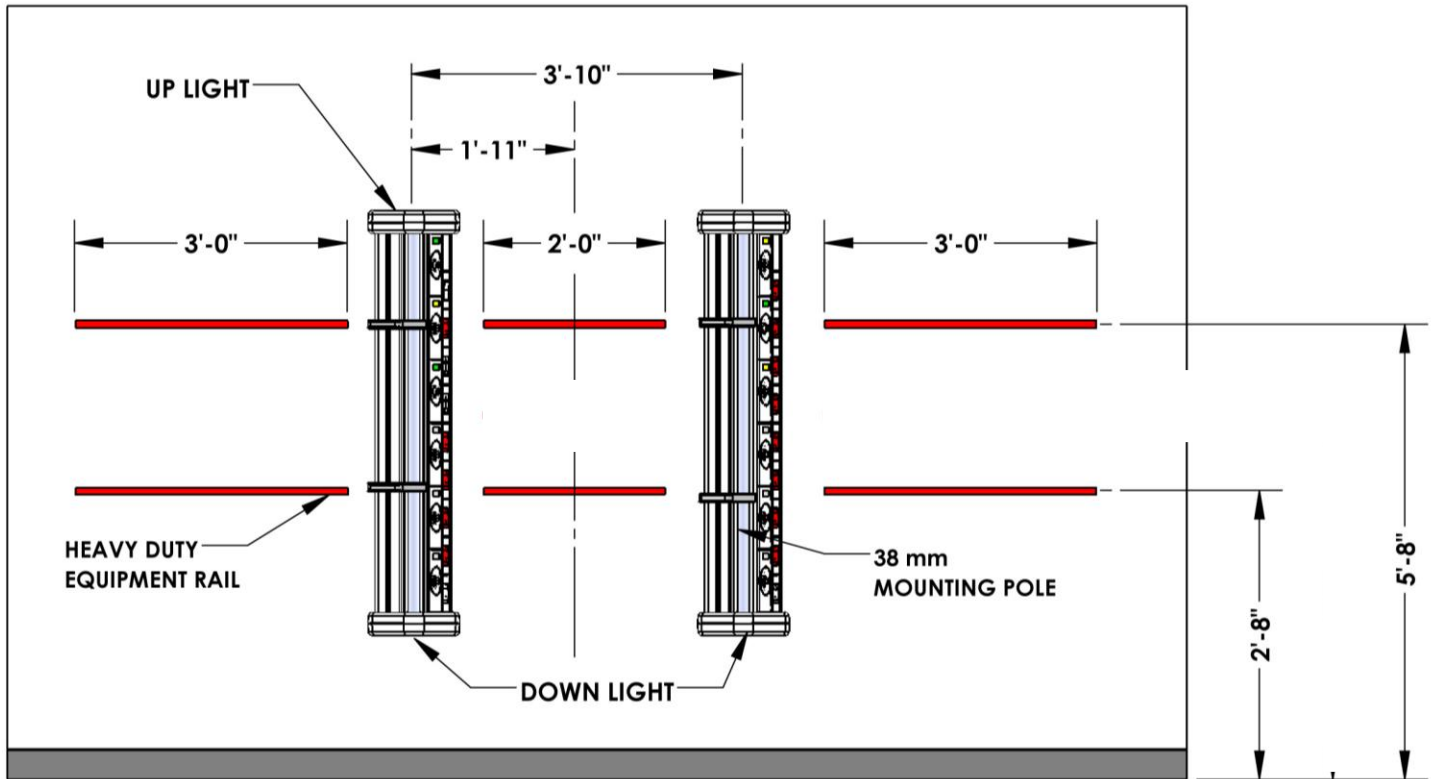
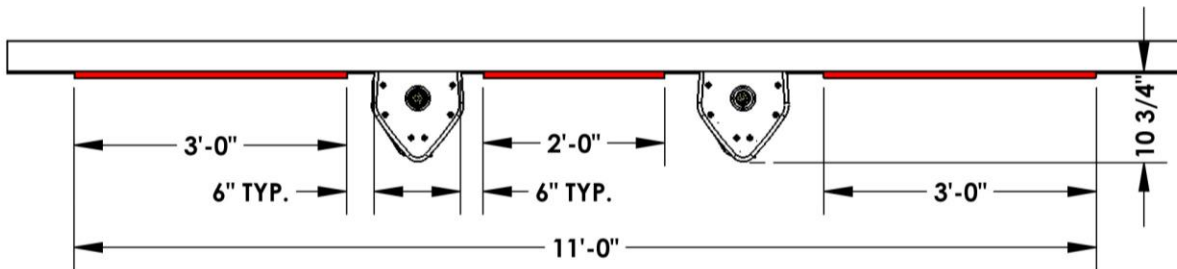


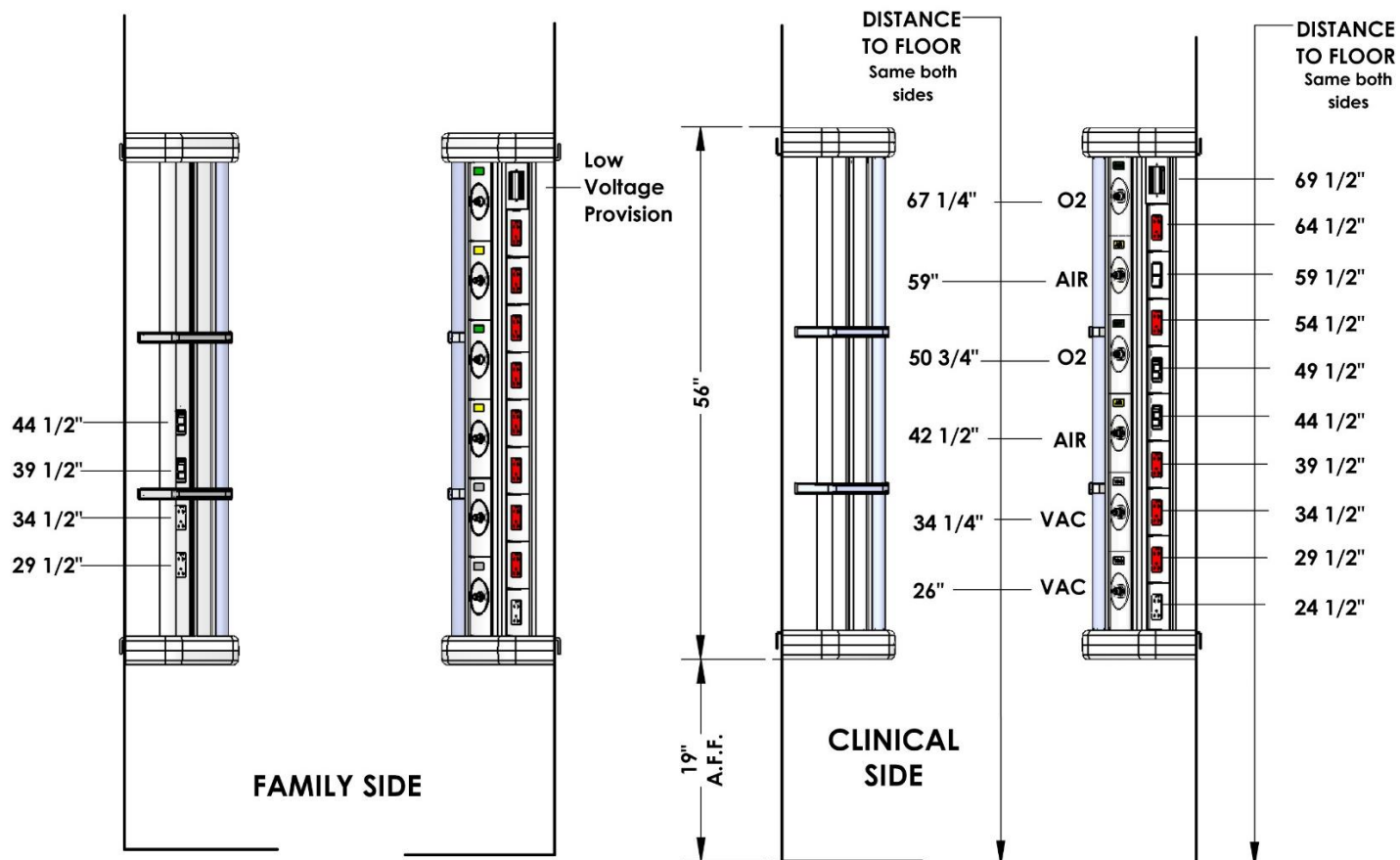
Product Specification

Matrixx-M for NICU



MATRIXX-M HEADWALL NICU





Gas Legend Total Outlets	
	Oxygen Outlet 4
	Air Outlet 4
	Vacuum Outlet 4

Electrical Legend Total Outlets					
	Low Voltage Provision	2		Master Switch Normal	1
	Duplex Emergency	13		Normal Dimmer Up and Down Lights	4
	Normal Emergency	3			

Footprint:

- 10 3/4 inch deep x wide x 56 inch high (273 mm x 1422 mm)

Recommended Height off Floor:

- 19 inches (482 mm)

Height to Crown of Plastic Cover:

- 80 inches (2 m)

Equipment Posts:

- 1.5 inch (38 mm) diameter

Other:

- Up light and night light

Electrical Outlets:

- Maximum capacity 10 outlets
- An additional 4 outlets can be installed outside panel on the family side of the unit

Electrical Outlets Available:

- Simplex
- Duplex
- Normal
- Emergency
- Low voltage

Electrical Outlet Location:

- Customer specified, 8.25 inch intervals (209 mm)

Gas Outlets:

- Maximum capacity 6 outlets

Gas Outlets Available

- Oxygen
- Air
- Vacuum

Gas Outlet Locations:

- Customer specified, at 5 inch (127 mm) intervals

Blank panels for gas and electrical outlets can be specified to facilitate future expansion

Rough-in hanger bracket kit shipped separately at framing

Unique wire separation permits freedom to arrange power and low voltage outlets where needed.

U.S. Patent – 7.425.679 and 7.211.726