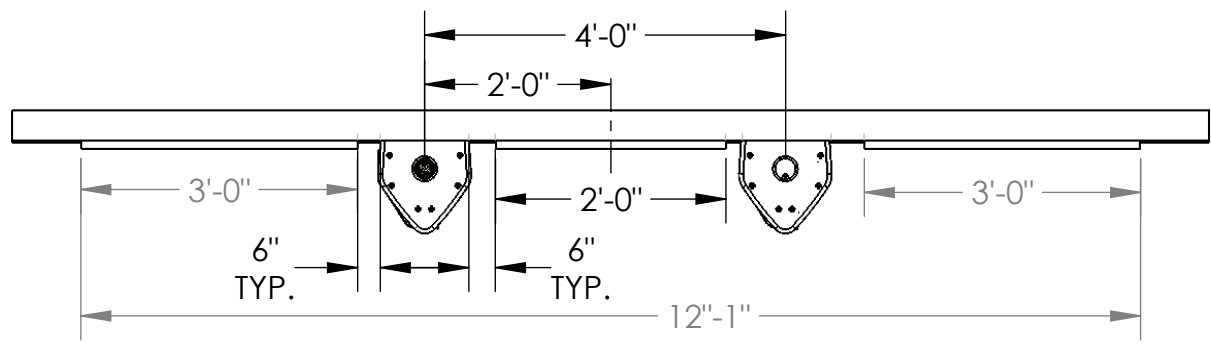
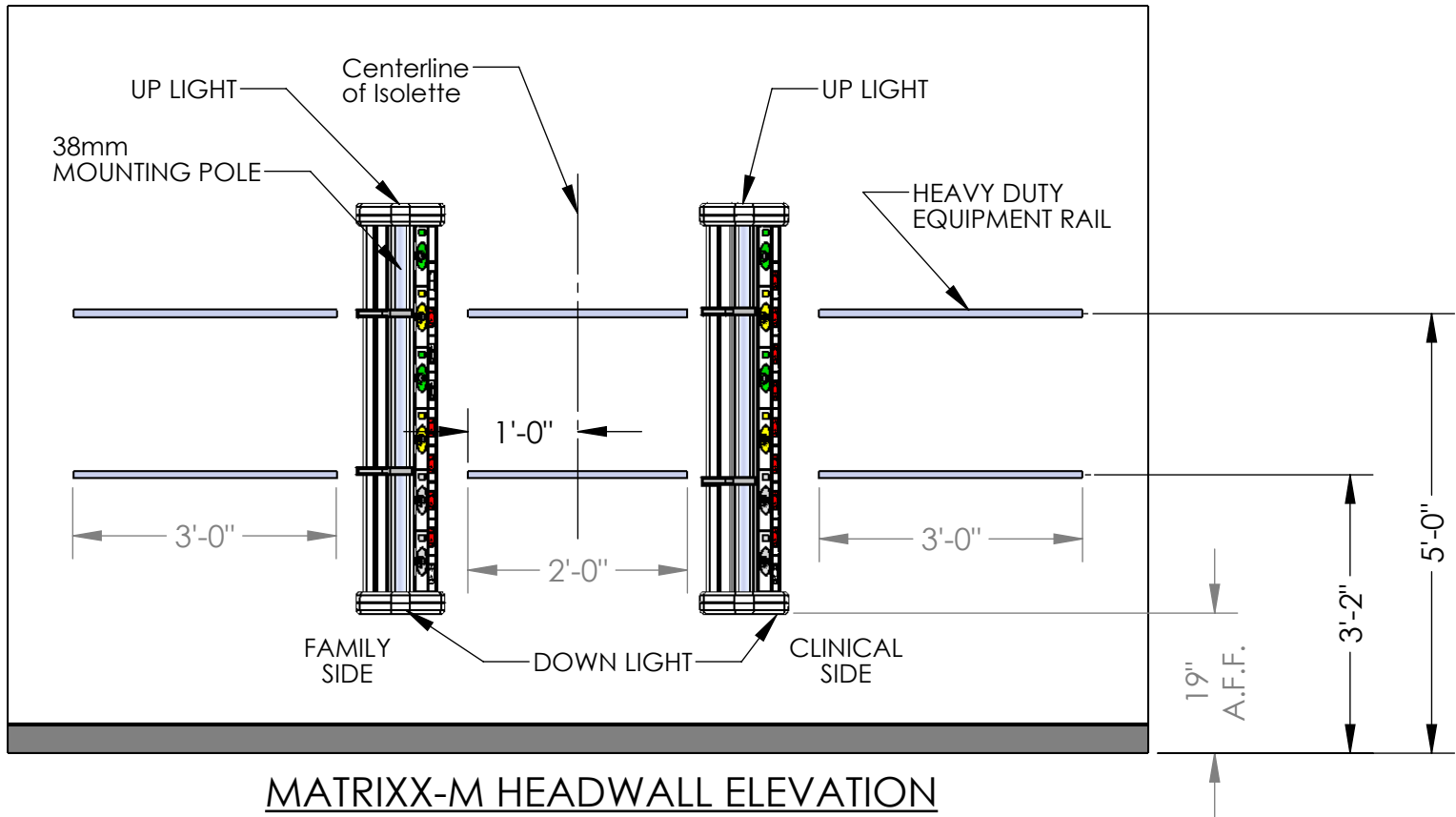


MATRIX-M Headwall
Proposal for:

TYPICAL NICU

Prepared: 06.04.14

By: NEXXSPAN HEALTHCARE, L.L.C.



© Matrixx-M Headwall Manufactured
By Nexspan Healthcare, LLC.
(U.S. Patent - 7.425.679 and 7.211.726)

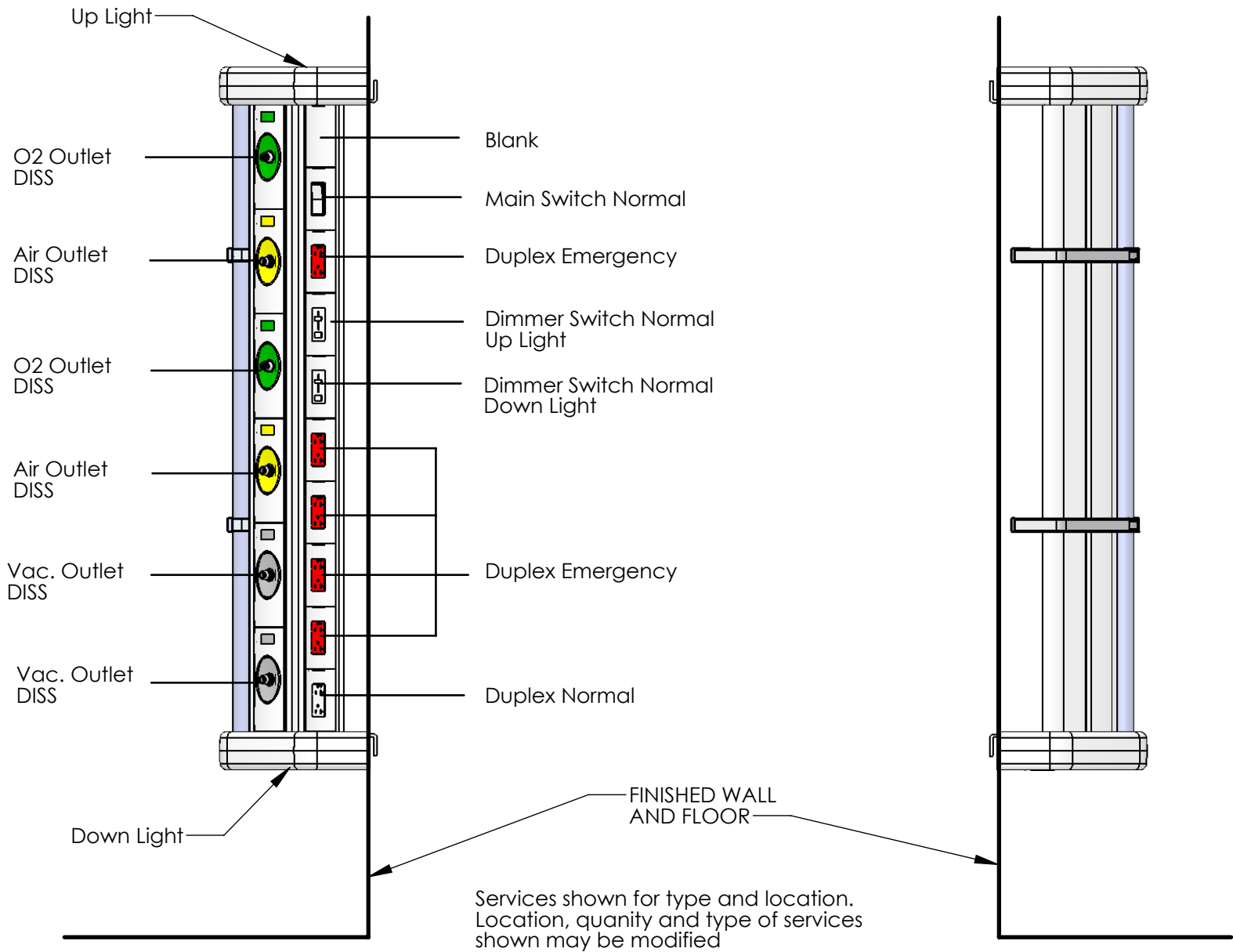
The information contained in this drawing is the sole property of Nexspan Healthcare, LLC. Any reproduction in part or in whole without the written permission of Nexspan Healthcare, LLC. is strictly prohibited.



Hospital
Typical Matrixx-M/NICU

Project Description
Elevation
Drawing Description
Matrixx-M

REVISION
A
Drawing Number
A1.1



CLINICAL SIDE VIEW MATRIXX-M ELEVATIONS

© Matrixx-M Headwall manufactured by Nexspan Healthcare, LLC. (U.S. Patent - 7.425.679 and 7.211.726)

The information contained in this drawing is the sole property of Nexspan Healthcare, LLC. Any reproduction in part or in whole without the written permission of Nexspan Healthcare, LLC. is strictly prohibited.



Hospital

Typical Matrixx-M/NICU

Project Description

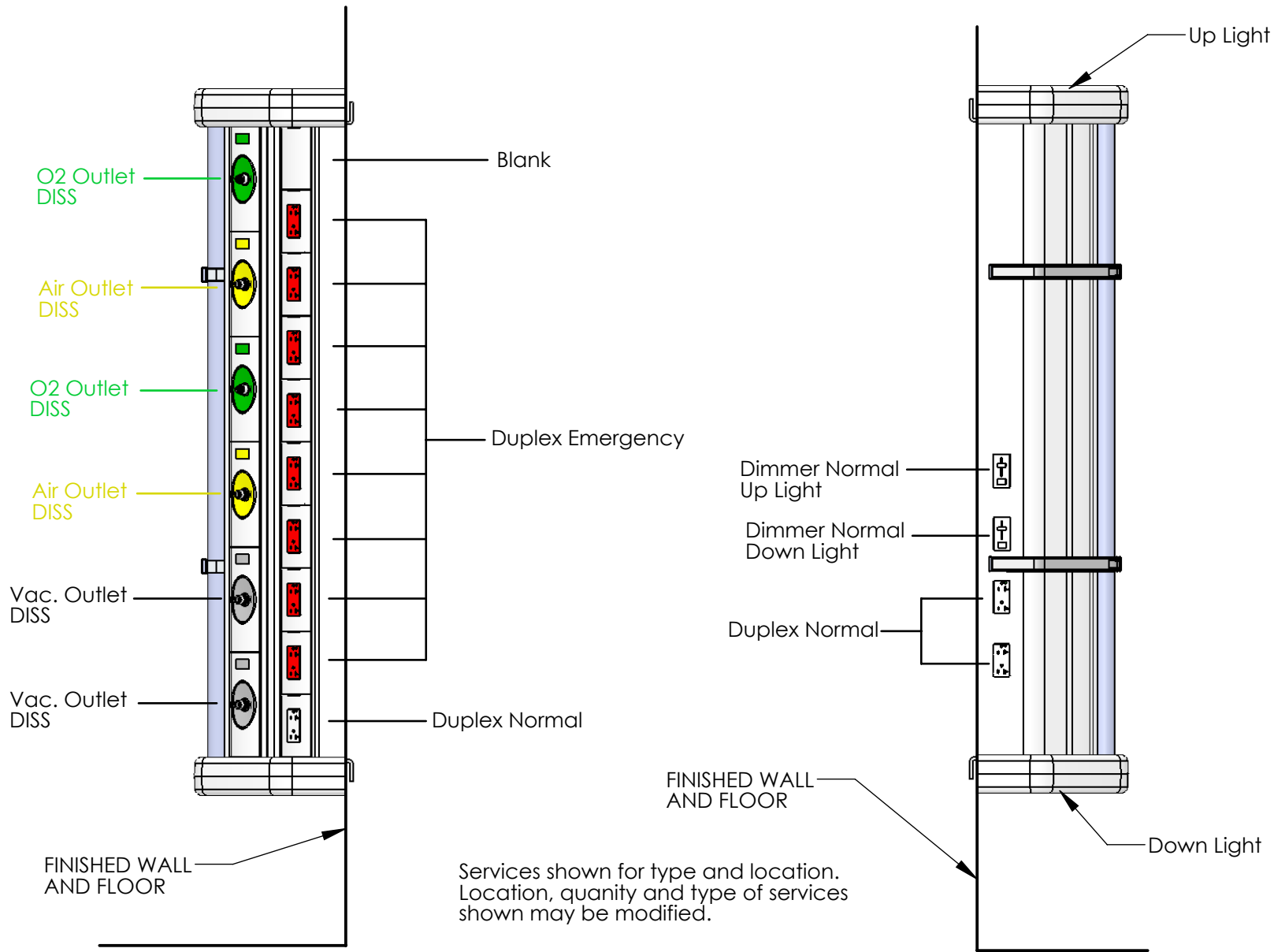
Outlet Location

Matrixx-M

REVISION Drawing Number

A

A1.2



Services shown for type and location.
Location, quantity and type of services
shown may be modified.

FAMILY SIDE VIEW MATRIXx-M ELEVATIONS

© Matrixx-M Headwall manufactured
by Nexspan Healthcare, LLC.
(U.S. Patent - 7.425.679 and
7.211.726)

The information contained in this drawing is the sole property of Nexspan Healthcare, LLC. Any reproduction in part or in whole without the written permission of Nexspan Healthcare, LLC. is strictly prohibited.



Hospital

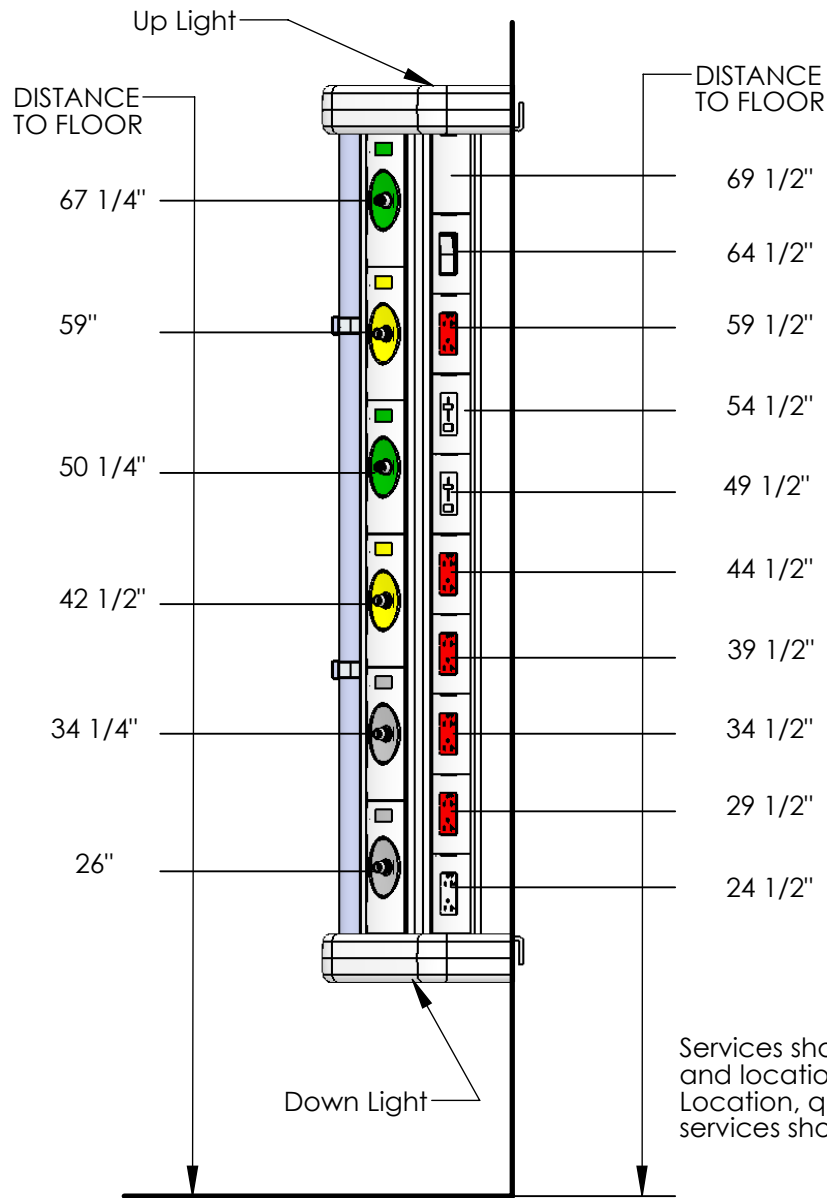
Typical Matrixx-M/NICU

Project Description

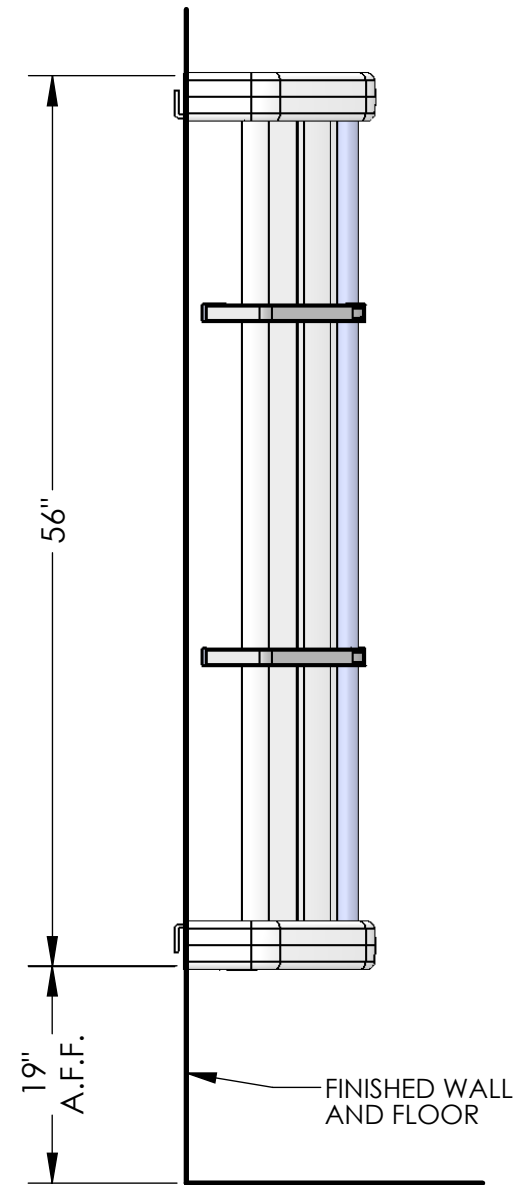
Outlet Location
Matrixx-M

REVISION Drawing Number

A
A1.3



Services shown for type and location.
 Location, quantity and type of services shown may be modified.



CLINICAL SIDE VIEW MATRIXX-M ELEVATIONS

© Matrixx-M Headwall manufactured by Nexspan Healthcare, LLC. (U.S. Patent - 7.425.679 and 7.211.726)

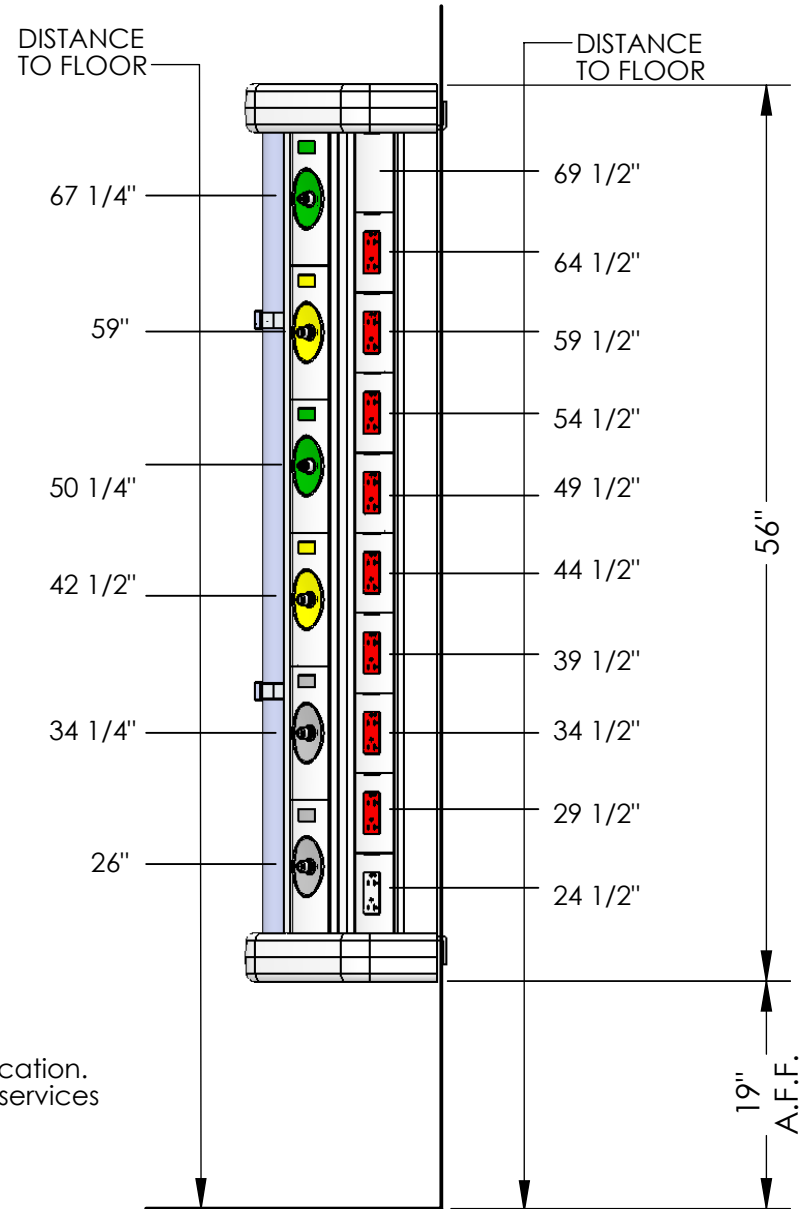
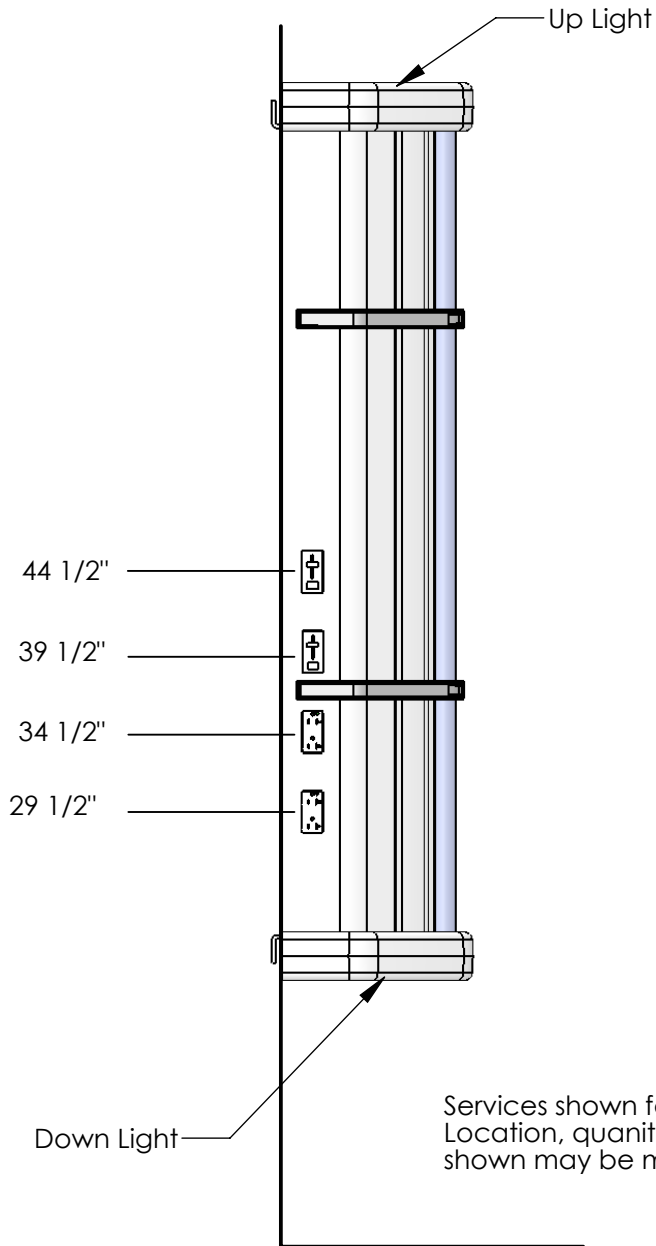
The information contained in this drawing is the sole property of Nexspan Healthcare, LLC. Any reproduction in part or in whole without the written permission of Nexspan Healthcare, LLC. is strictly prohibited.



Hospital
 Typical Matrixx-M/NICU

Project Description
 Dimensions
 Drawing Description
 Matrixx-M

REVISION Drawing Number
 A A1.4



Services shown for type and location. Location, quantity and type of services shown may be modified.

FAMILY SIDE VIEW MATRIXx-M ELEVATIONS

© Matrixx-M Headwall manufactured by Nexspan Healthcare, LLC. (U.S. Patent - 7.425.679 and 7.211.726)

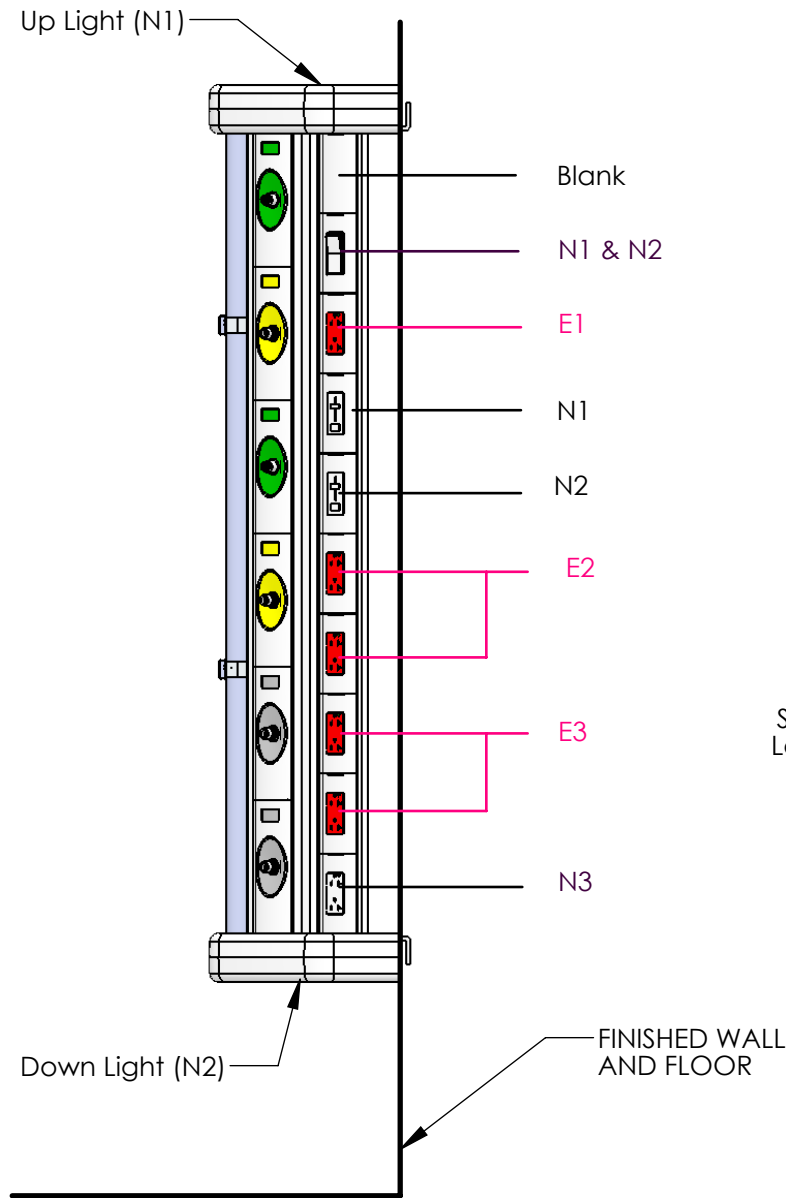
The information contained in this drawing is the sole property of Nexspan Healthcare, LLC. Any reproduction in part or in whole without the written permission of Nexspan Healthcare, LLC. is strictly prohibited.



Hospital
Typical Matrixx-M/NICU

Project Description
Dimensions
Drawing Description
Matrixx-M

REVISION
A
Drawing Number
A1.5



Services shown for type and location.
Location, quantity and type of services
shown may be modified

CLINICAL SIDE VIEW MATRIXX-M ELEVATIONS

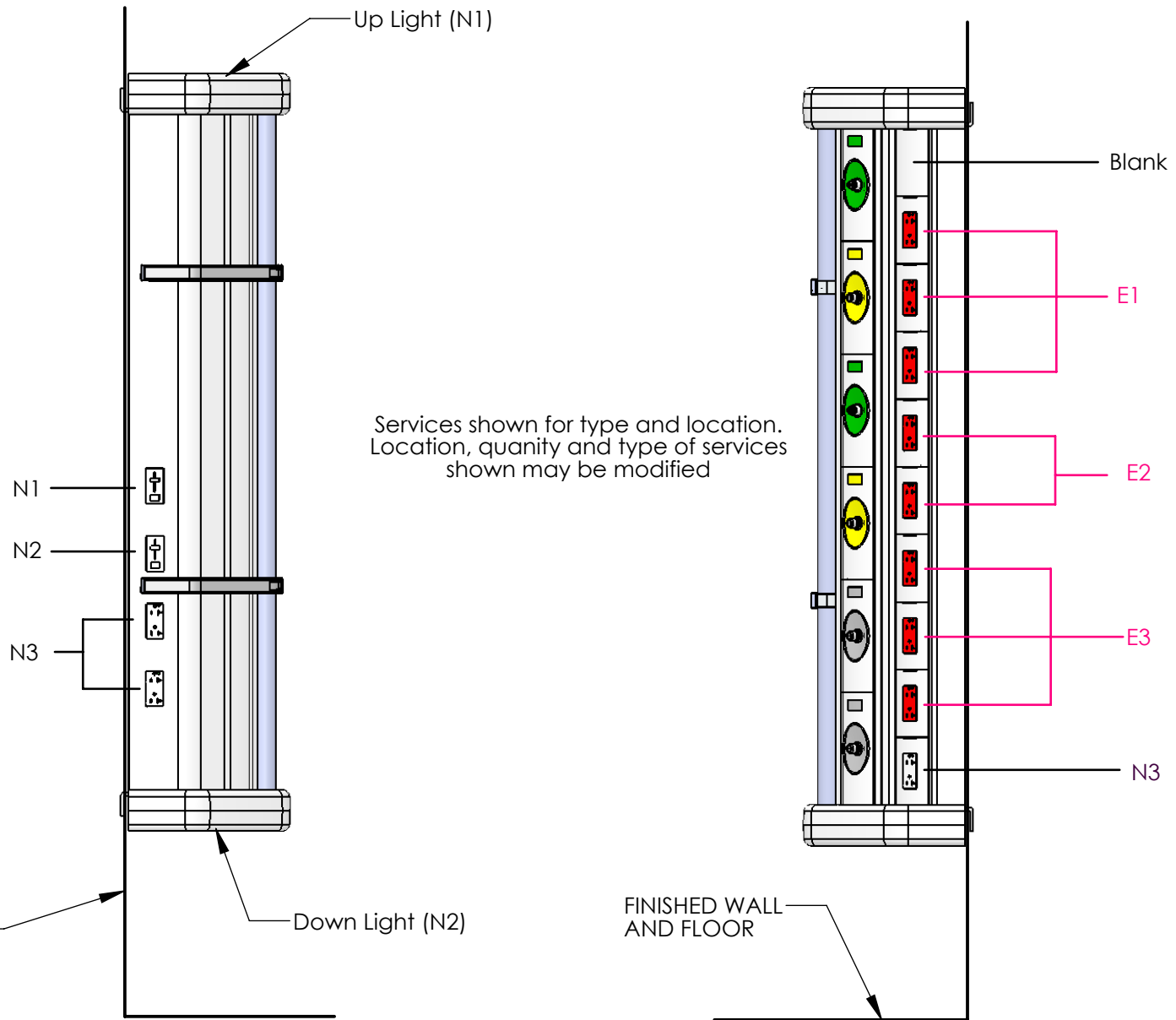
© Matrixx-M Headwall manufactured
by Nexspan Healthcare, LLC.
(U.S. Patent - 7.425.679 and
7.211.726)

The information contained in this
drawing is the sole property of
Nexspan Healthcare, LLC. Any
reproduction in part or in whole
without the written permission
of Nexspan Healthcare, LLC,
is strictly prohibited.



Hospital
Typical Matrixx-M/NICU

Project Description	REVISION	Drawing Number
Electrical	A	E1
Drawing Description		
Matrixx-M		



Services shown for type and location. Location, quantity and type of services shown may be modified

FAMILY SIDE VIEW MATRIXX-M ELEVATIONS

© Matrixx-M Headwall manufactured by Nexspan Healthcare, LLC. (U.S. Patent - 7.425.679 and 7.211.726)

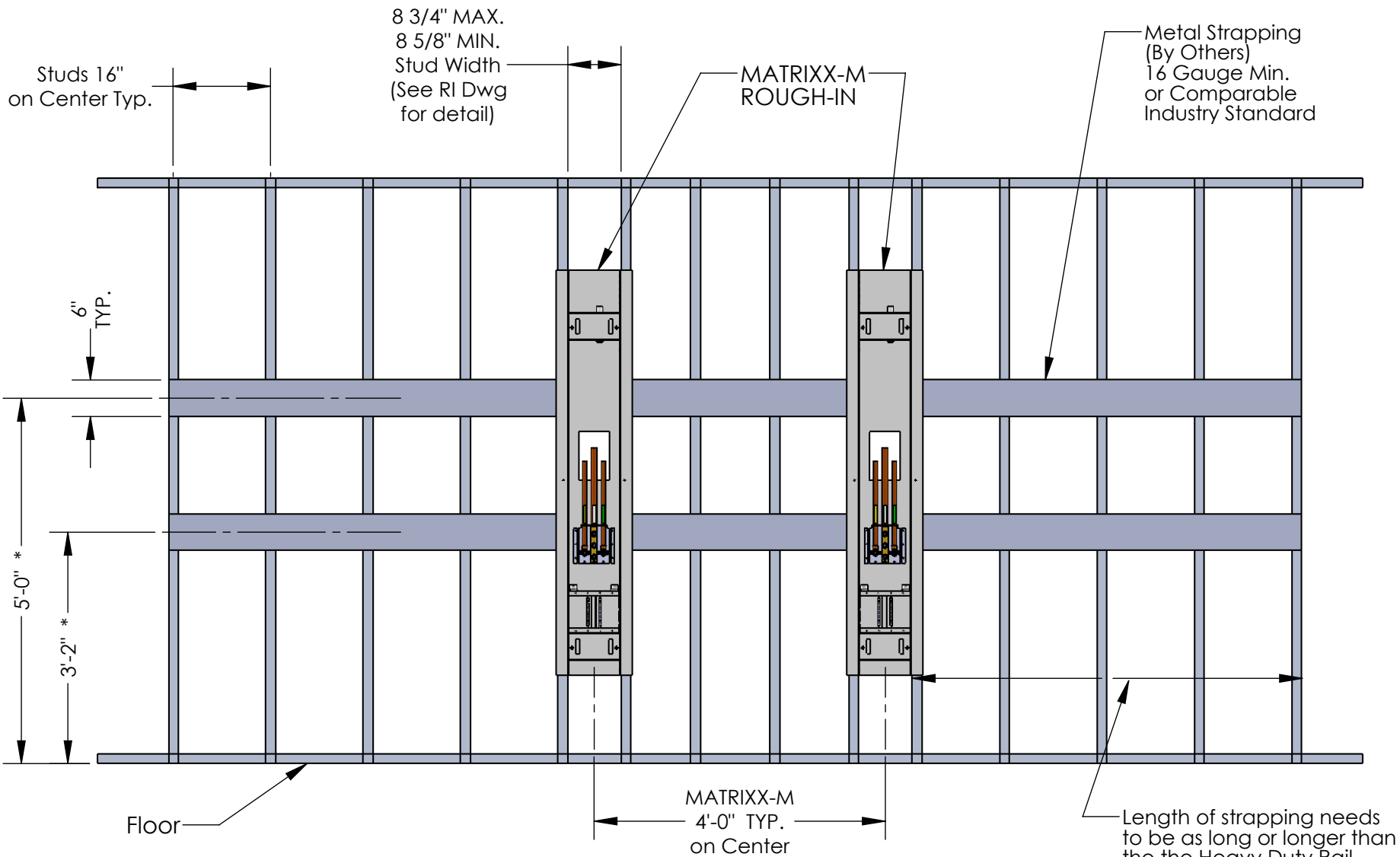
The information contained in this drawing is the sole property of Nexspan Healthcare, LLC. Any reproduction in part or in whole without the written permission of Nexspan Healthcare, LLC. is strictly prohibited.



Hospital
Typical Matrixx-M/NICU

Project Description
Electrical
Drawing Description
Matrixx-M

REVISION Drawing Number
A
E2



TYPICAL HEAVY DUTY RAIL STRAPPING ELEVATION

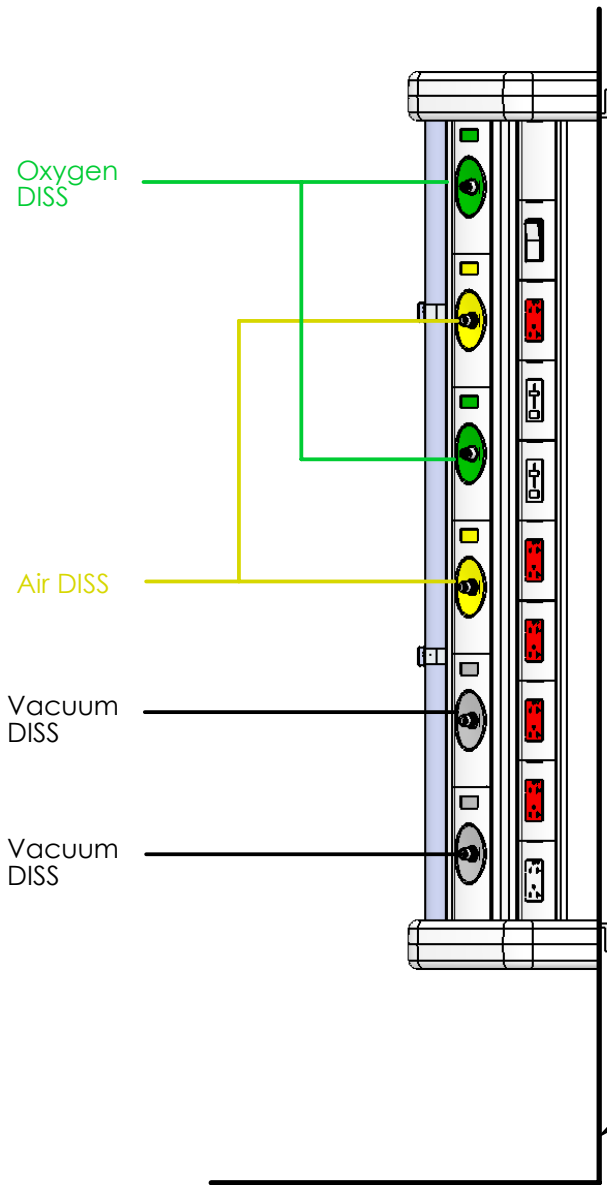
* Rail configuration can be different per signed submittal. Please Verify.

© Matrixx-M Headwall Manufactured By Nexspan Healthcare, LLC. (U.S. Patent - 7.425.679 and 7.211.726)

The information contained in this drawing is the sole property of Nexspan Healthcare, LLC. Any reproduction in part or in whole without the written permission of Nexspan Healthcare, LLC. is strictly prohibited.



Hospital	Project Description	REVISION	Drawing Number
Typical Matrixx-M/NICU	Strapping	A	HDR
	Drawing Description		
	Matrixx-M		



Services shown for type and location.
 Location, quantity and type of services shown may be modified.
 Outlets are DISS. Feed end hoses are supplied
 with DISS Connectors by Nexspan.

CLINICAL SIDE VIEW MATRIXX-M ELEVATIONS

© Matrixx-M Headwall manufactured
 by Nexspan Healthcare, LLC.
 (U.S. Patent - 7.425.679 and
 7.211.726)

The information contained in this
 drawing is the sole property of
 Nexspan Healthcare, LLC. Any
 reproduction in part or in whole
 without the written permission
 of Nexspan Healthcare, LLC,
 is strictly prohibited.

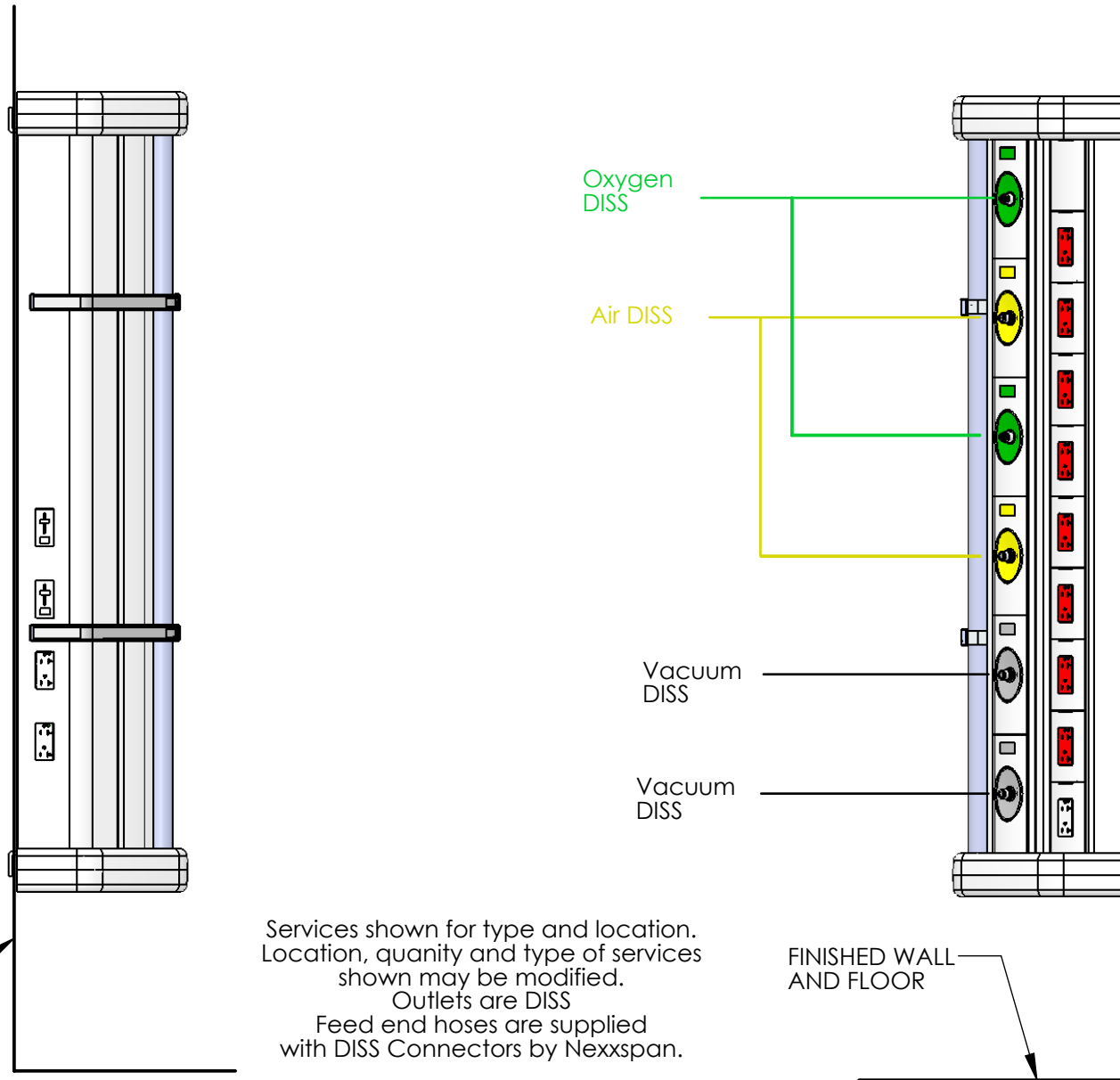


Hospital
 Typical Matrixx-M/NICU

Project Description
 Plumbing
 Drawing Description
 Matrixx-M

REVISION
 A
 Drawing Number
 P1

FINISHED WALL
AND FLOOR



FAMILY SIDE VIEW MATRIXX-M ELEVATIONS

© Matrixx-M Headwall manufactured by Nexspan Healthcare, LLC. (U.S. Patent - 7.425.679 and 7.211.726)

The information contained in this drawing is the sole property of Nexspan Healthcare, LLC. Any reproduction in part or in whole without the written permission of Nexspan Healthcare, LLC. is strictly prohibited.



Hospital

Typical Matrixx-M/NICU

Project Description

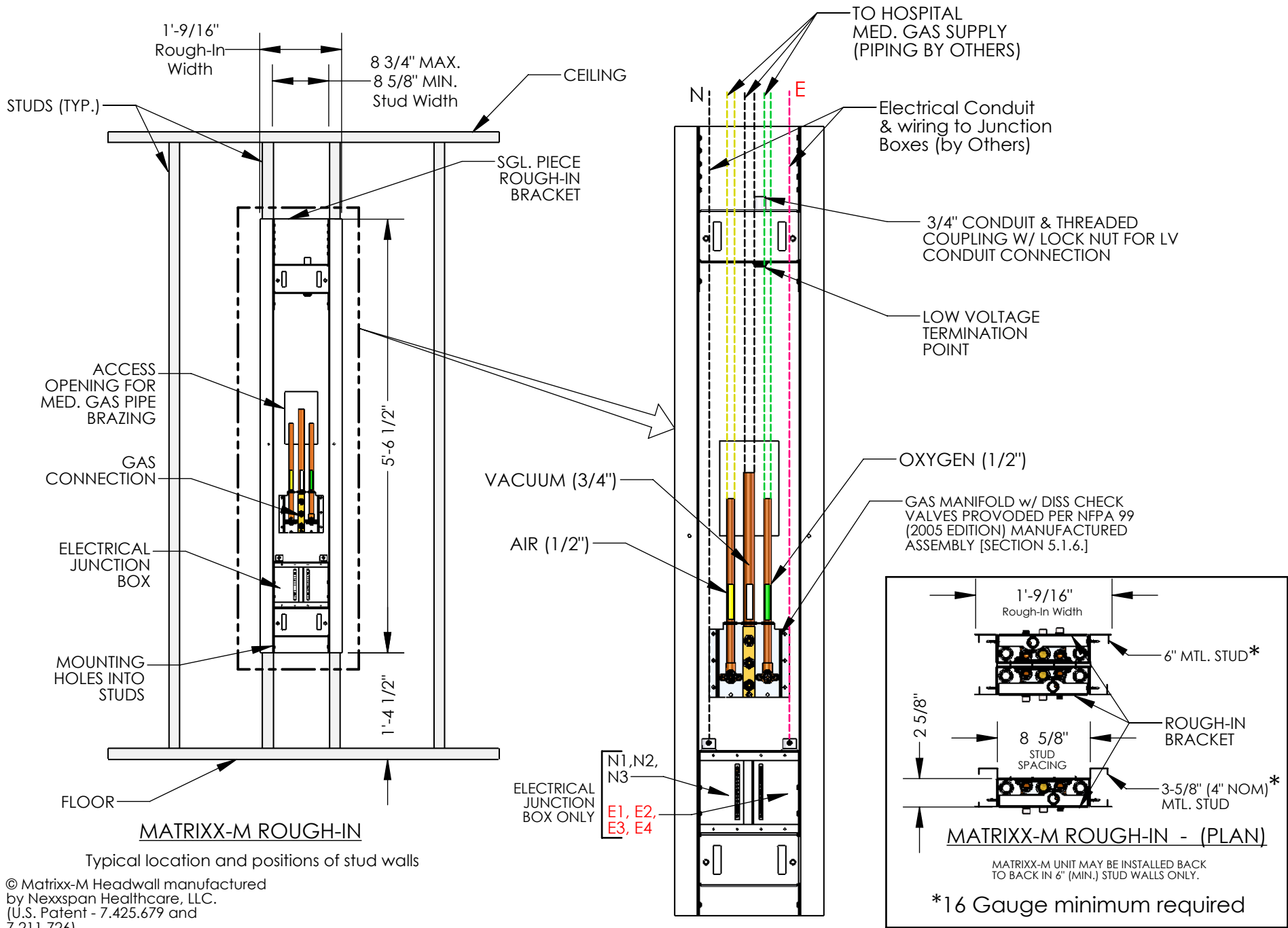
Plumbing

Drawing Description
Matrixx-M

REVISION Drawing Number

A

P2



© Matrixx-M Headwall manufactured by Nexspan Healthcare, LLC. (U.S. Patent - 7.425.679 and 7.211.726)

The information contained in this drawing is the sole property of Nexspan Healthcare, LLC. Any reproduction in part or in whole without the written permission of Nexspan Healthcare, LLC. is strictly prohibited.



Hospital
Typical Matrixx-M/NICU

Project Description	Revision Drawing Number
Drawing Description MATRIXX-M Rough-In	A RI

Typical



The **MATRIX-M** Medical Utilities and Equipment Management System Unit by Lifespan Healthcare, LLC. is certified by Intertek in accordance with the conditions of the Certification agreement and Listing Report.

Standard(s): Standards for Medical Electrical Equipment, Part 1: General Requirements for Safety: UL60601-1, 1st Edition, dated April 26, 2006; CAN/CSA-C22.2 No. 601.1-M90 with A1 & A2, Dated March 29, 1999

Intertek Control Number: 3047071

ATM for Report 3045647Q issued September 30, 2009