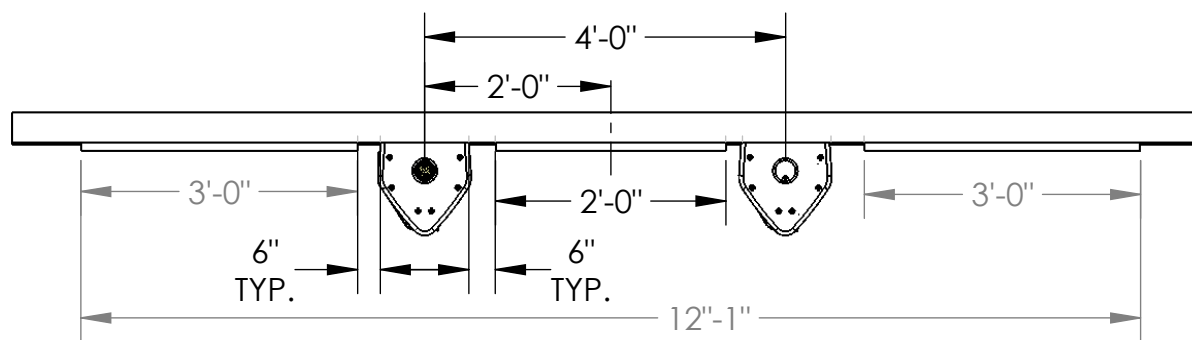
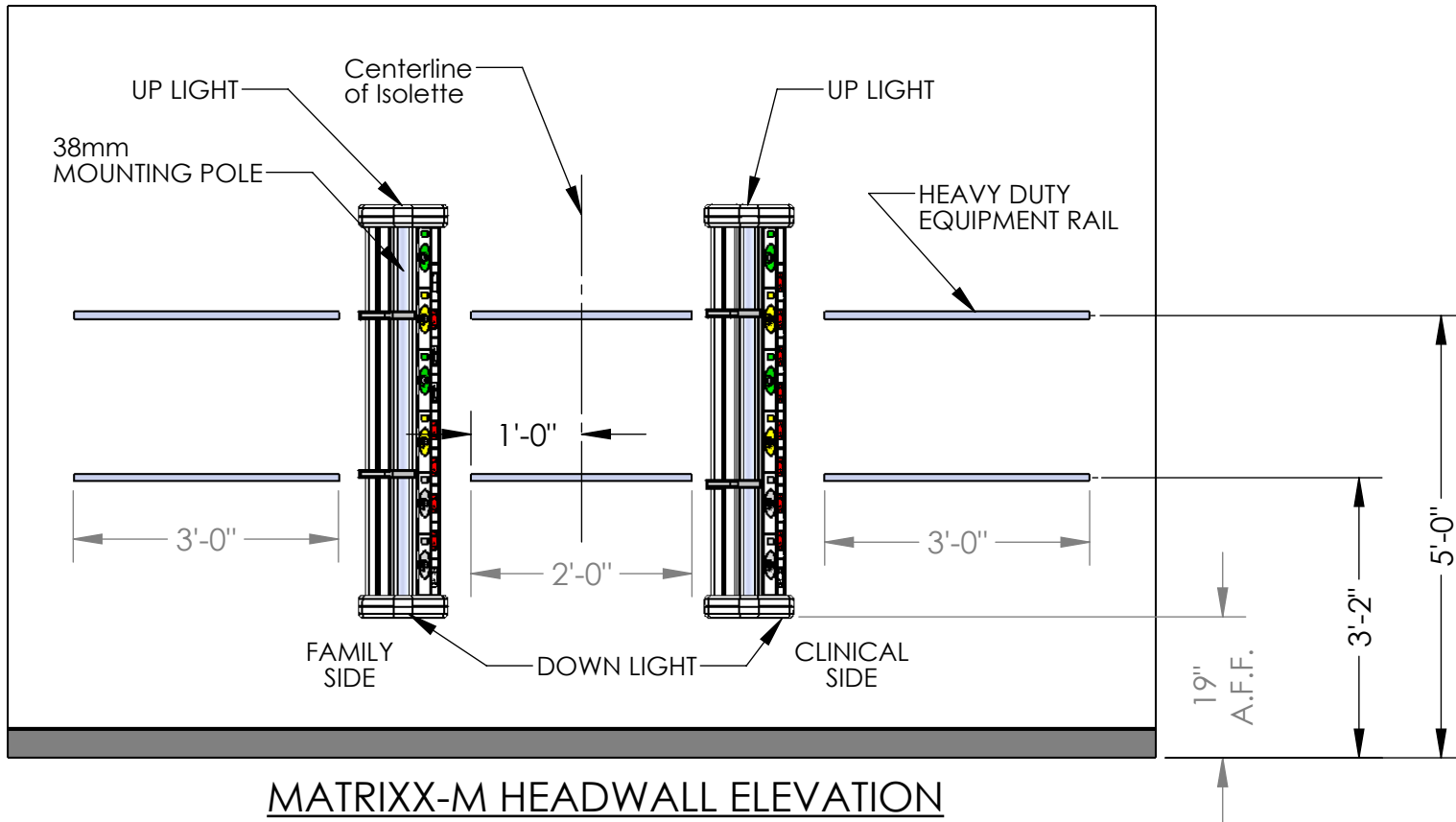


MATRIX-M Headwall
Proposal for:

TYPICAL ICU

Prepared: 06.04.14

By: NEXXSPAN HEALTHCARE, L.L.C.



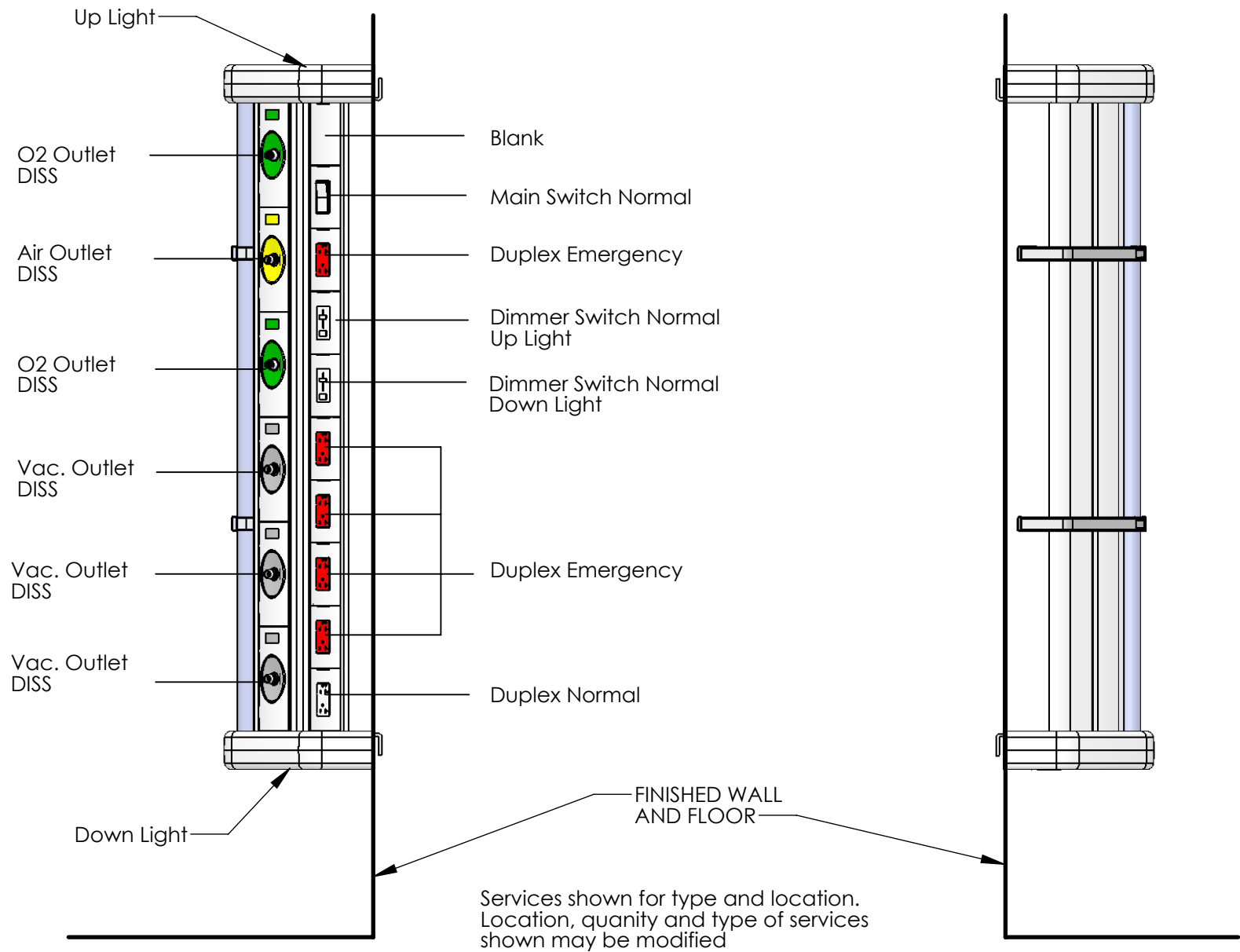
© Matrixx-M Headwall Manufactured
By Nexspan Healthcare, LLC.
(U.S. Patent - 7.425.679 and 7.211.726)

The information contained in this drawing is the sole property of Nexspan Healthcare, LLC. Any reproduction in part or in whole without the written permission of Nexspan Healthcare, LLC. is strictly prohibited.



Hospital
Typical Matrixx-M/ICU

Project Description	REVISION	Drawing Number
Elevation	A	A1.1
Drawing Description		
Matrixx-M		



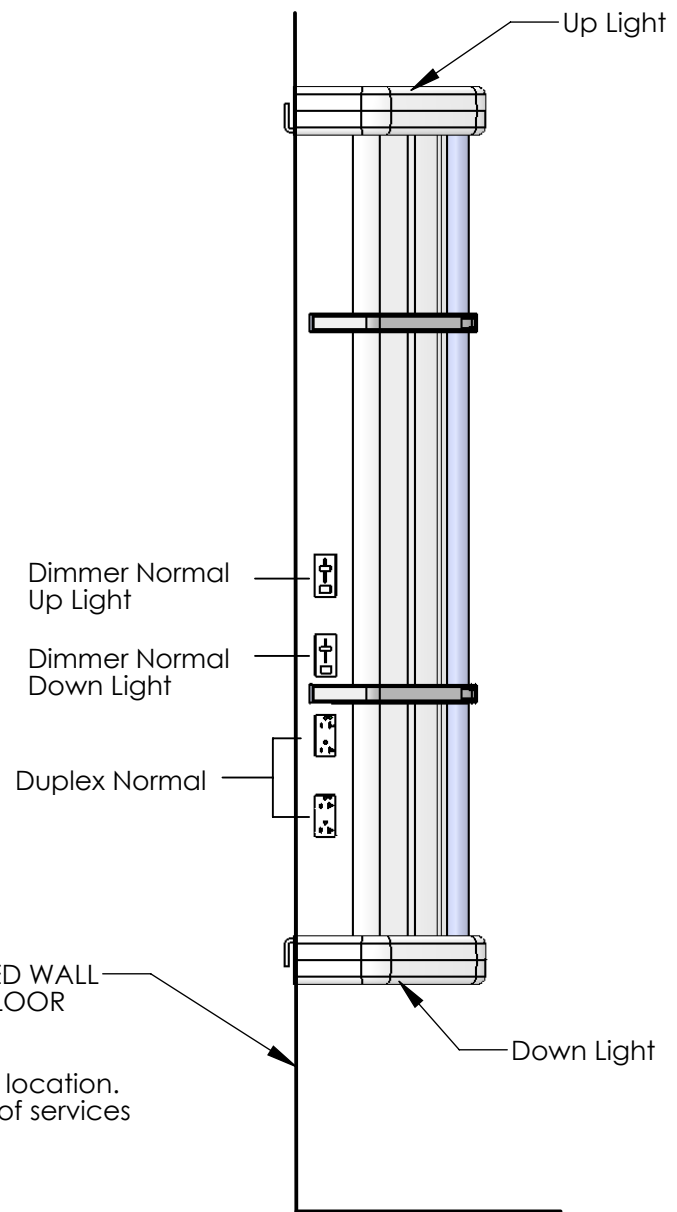
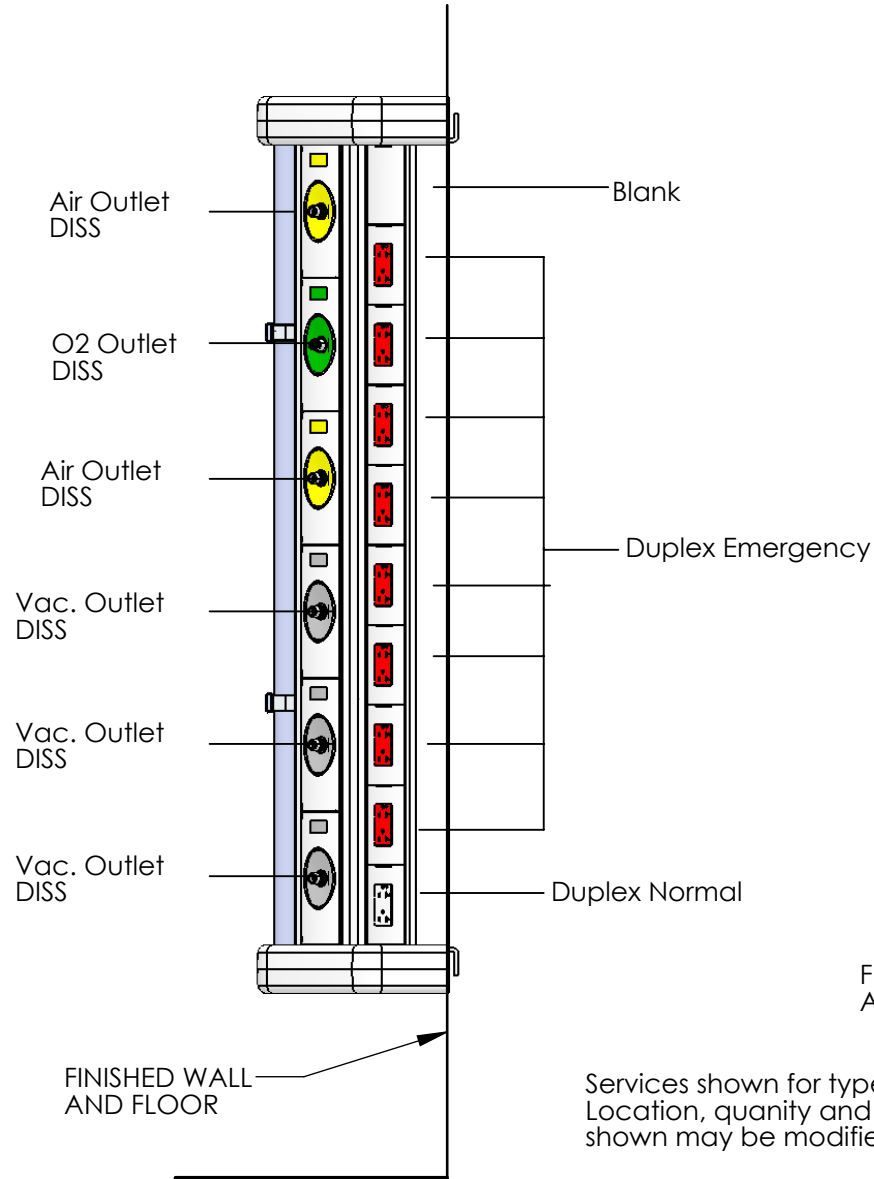
CLINICAL SIDE VIEW MATRIXX-M ELEVATIONS

© Matrixx-M Headwall manufactured by Nexspan Healthcare, LLC. (U.S. Patent - 7.425.679 and 7.211.726)

The information contained in this drawing is the sole property of Nexspan Healthcare, LLC. Any reproduction in part or in whole without the written permission of Nexspan Healthcare, LLC. is strictly prohibited.



Hospital	Project Description	REVISION	Drawing Number
Typical Matrixx-M/ICU	Outlet Location	A	A1.2
	Drawing Description		
	Matrixx-M		



Services shown for type and location. Location, quantity and type of services shown may be modified.

FAMILY SIDE VIEW MATRIXx-M ELEVATIONS

© Matrixx-M Headwall manufactured by Nexspan Healthcare, LLC. (U.S. Patent - 7.425.679 and 7.211.726)

The information contained in this drawing is the sole property of Nexspan Healthcare, LLC. Any reproduction in part or in whole without the written permission of Nexspan Healthcare, LLC. is strictly prohibited.



Hospital

Typical Matrixx-M/ICU

Project Description

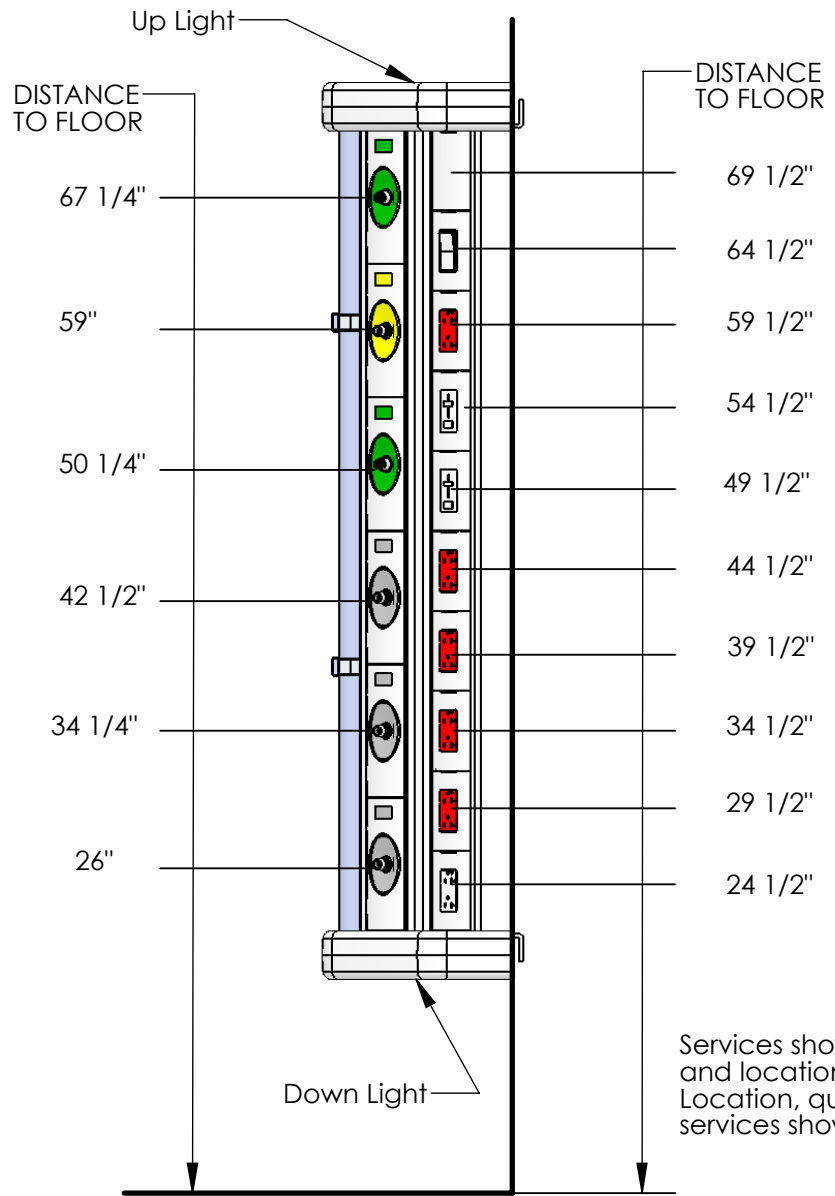
Outlet Location

Matrixx-M

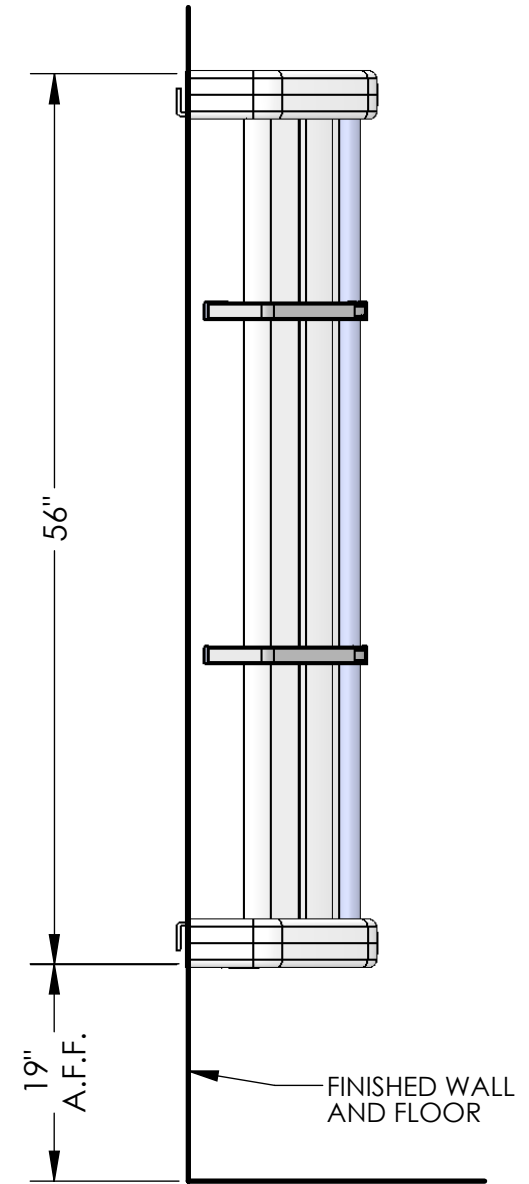
REVISION Drawing Number

A

A1.3



Services shown for type and location. Location, quantity and type of services shown may be modified.



CLINICAL SIDE VIEW MATRIXX-M ELEVATIONS

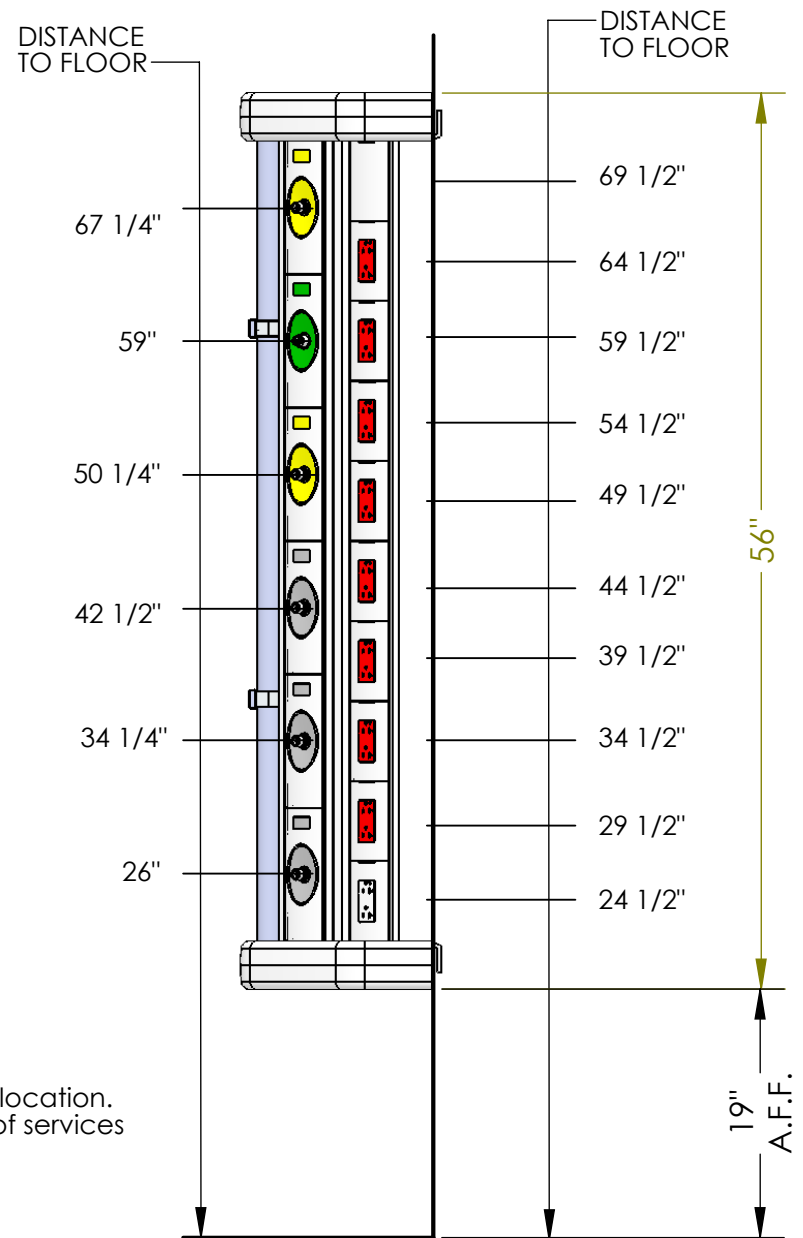
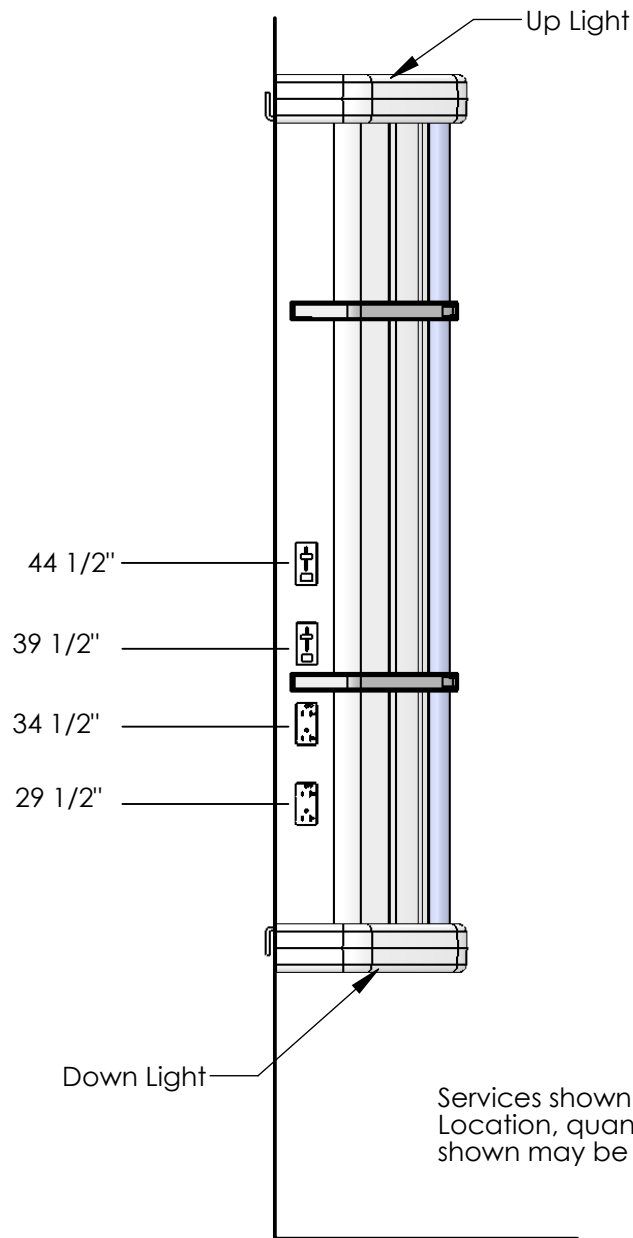
© Matrixx-M Headwall manufactured by Nexspan Healthcare, LLC. (U.S. Patent - 7.425.679 and 7.211.726)

The information contained in this drawing is the sole property of Nexspan Healthcare, LLC. Any reproduction in part or in whole without the written permission of Nexspan Healthcare, LLC. is strictly prohibited.



Hospital
Typical Matrixx-M/ICU

Project Description	REVISION	Drawing Number
Dimensions	A	A1.4
Drawing Description Matrixx-M		



Services shown for type and location.
Location, quantity and type of services
shown may be modified.

FAMILY SIDE VIEW MATRIXX-M ELEVATIONS

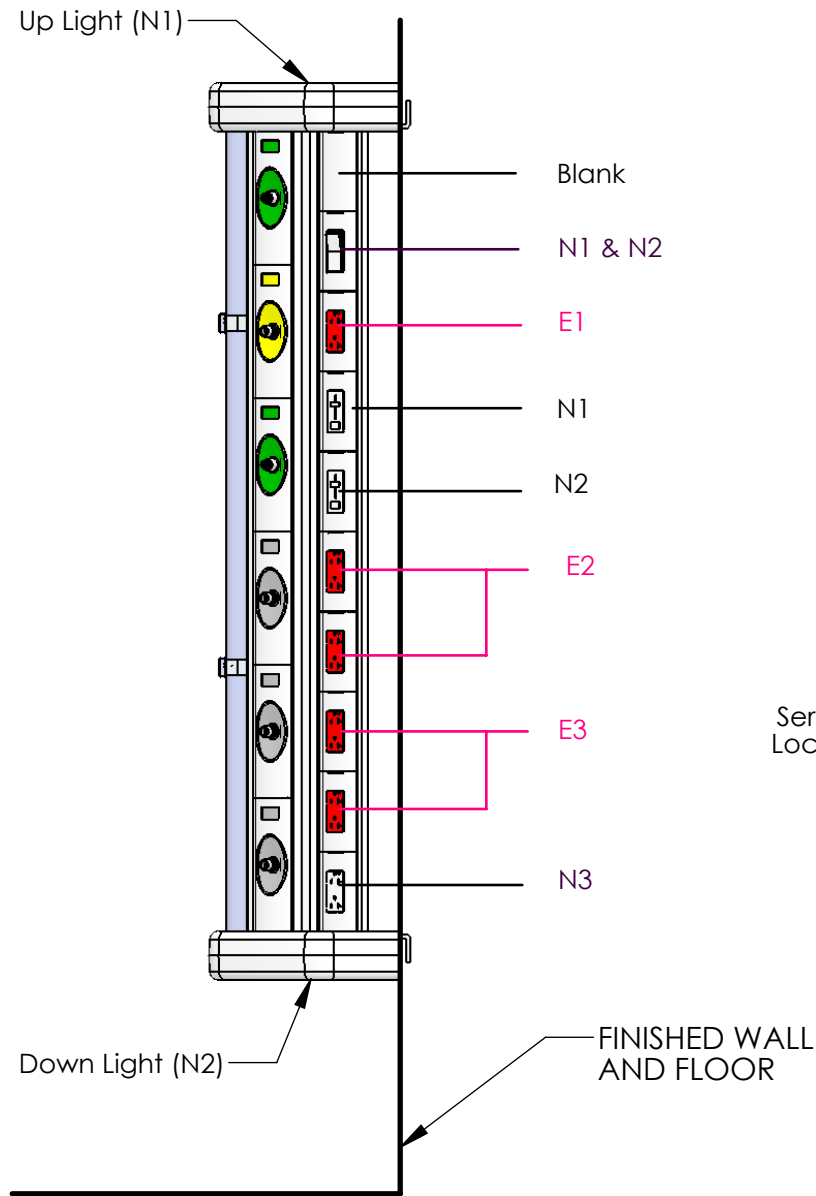
FINISHED WALL
AND FLOOR

© Matrixx-M Headwall manufactured
by Nexspan Healthcare, LLC.
(U.S. Patent - 7.425.679 and
7.211.726)

The information contained in this
drawing is the sole property of
Nexspan Healthcare, LLC. Any
reproduction in part or in whole
without the written permission
of Nexspan Healthcare, LLC.
is strictly prohibited.



Hospital	Project Description	REVISION	Drawing Number
Typical Matrixx-M/ICU	Dimensions	A	A1.5
	Drawing Description		
	Matrixx-M		



Services shown for type and location.
Location, quantity and type of services
shown may be modified

CLINICAL SIDE VIEW MATRIXX-M ELEVATIONS

© Matrixx-M Headwall manufactured
by Nexspan Healthcare, LLC.
(U.S. Patent - 7.425.679 and
7.211.726)

The information contained in this drawing is the sole property of Nexspan Healthcare, LLC. Any reproduction in part or in whole without the written permission of Nexspan Healthcare, LLC. is strictly prohibited.



Hospital

Typical Matrixx-M/ICU

Project Description

Electrical

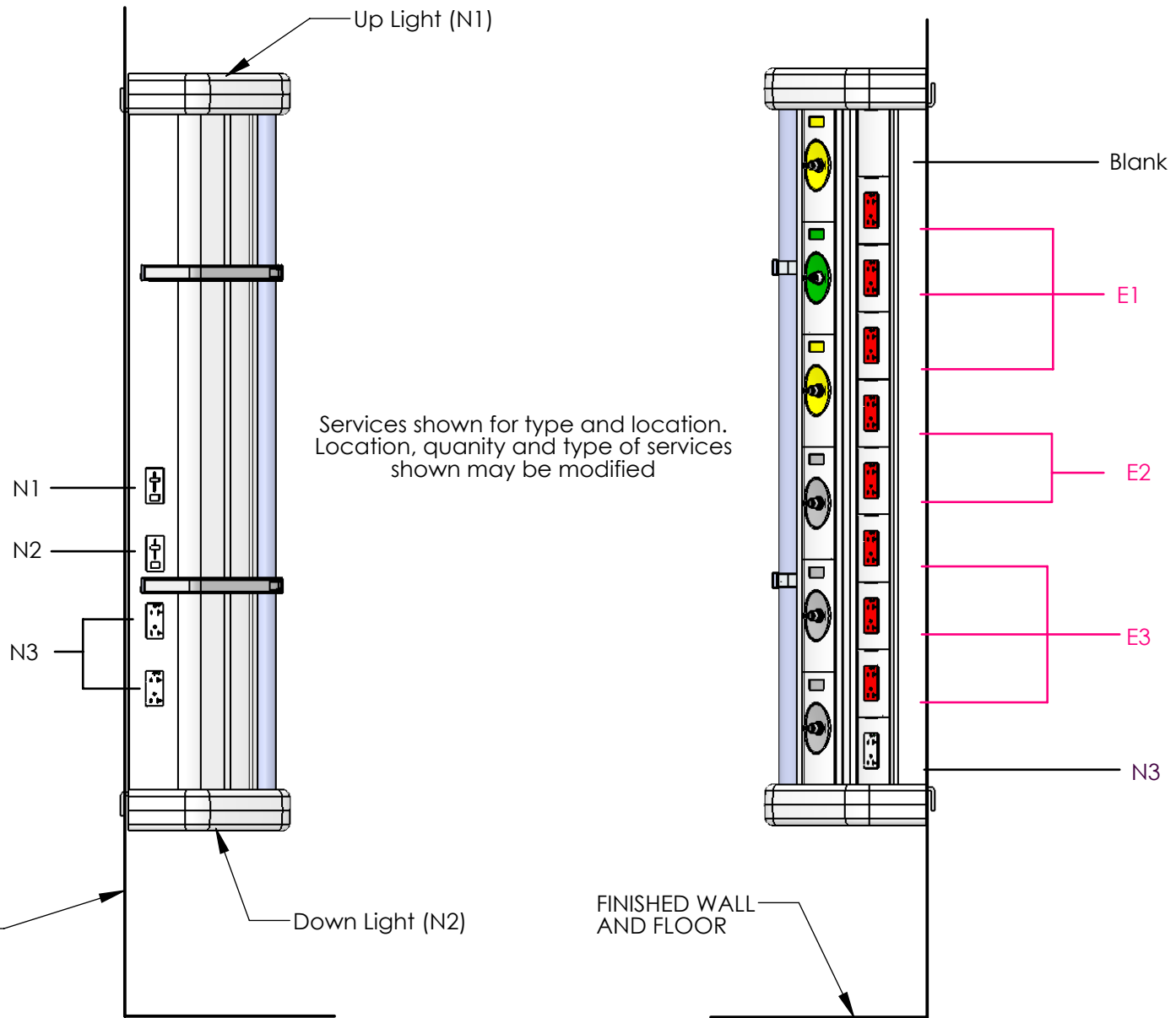
REVISION Drawing Number

A

Drawing Description

Matrixx-M

E1



Services shown for type and location.
Location, quantity and type of services
shown may be modified

FAMILY SIDE VIEW MATRIXX-M ELEVATIONS

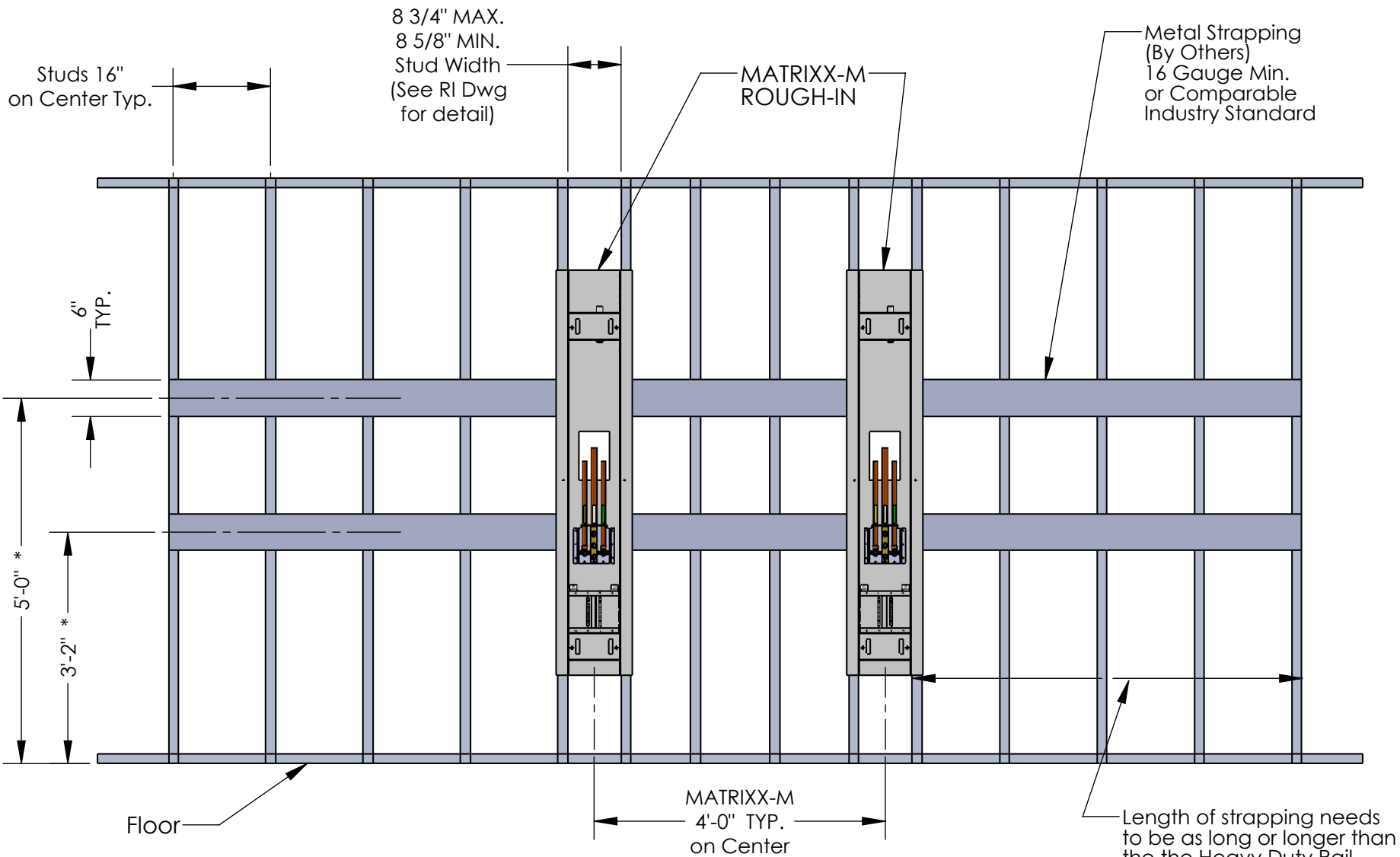
© Matrixx-M Headwall manufactured
by Nexspan Healthcare, LLC.
(U.S. Patent - 7.425.679 and
7.211.726)

The information contained in this drawing is the sole property of Nexspan Healthcare, LLC. Any reproduction in part or in whole without the written permission of Nexspan Healthcare, LLC. is strictly prohibited.



Hospital
Typical Matrixx-M/ICU

Project Description	REVISION	Drawing Number
Electrical	A	E2
Drawing Description Matrixx-M		



TYPICAL HEAVY DUTY RAIL STRAPPING ELEVATION

* Rail configuration can be different per signed submittal. Please Verify.

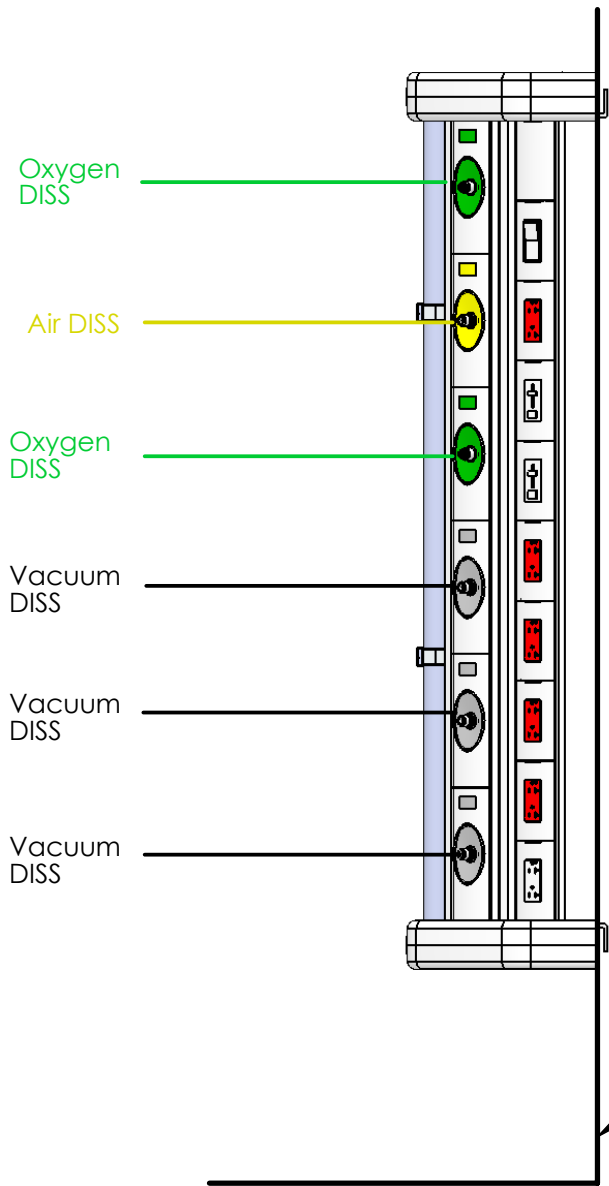
© Matrixx-M Headwall Manufactured By Nexspan Healthcare, LLC. (U.S. Patent - 7.425.679 and 7.211.726)

The information contained in this drawing is the sole property of Nexspan Healthcare, LLC. Any reproduction in part or in whole without the written permission of Nexspan Healthcare, LLC. is strictly prohibited.



Hospital
Typical Matrixx-M/ICU

Project Description	REVISION	Drawing Number
Strapping	A	HDR
Drawing Description		
Matrixx-M		



Services shown for type and location.
 Location, quantity and type of services shown may be modified.
 Outlets are DISS. Feed end hoses are supplied
 with DISS Connectors by Nexspan.

FINISHED WALL
 AND FLOOR

CLINICAL SIDE VIEW MATRIXX-M ELEVATIONS

© Matrixx-M Headwall manufactured
 by Nexspan Healthcare, LLC.
 (U.S. Patent - 7.425.679 and
 7.211.726)

The information contained in this
 drawing is the sole property of
 Nexspan Healthcare, LLC. Any
 reproduction in part or in whole
 without the written permission
 of Nexspan Healthcare, LLC,
 is strictly prohibited.



Hospital

Typical Matrixx-M/ICU

Project Description

Plumbing

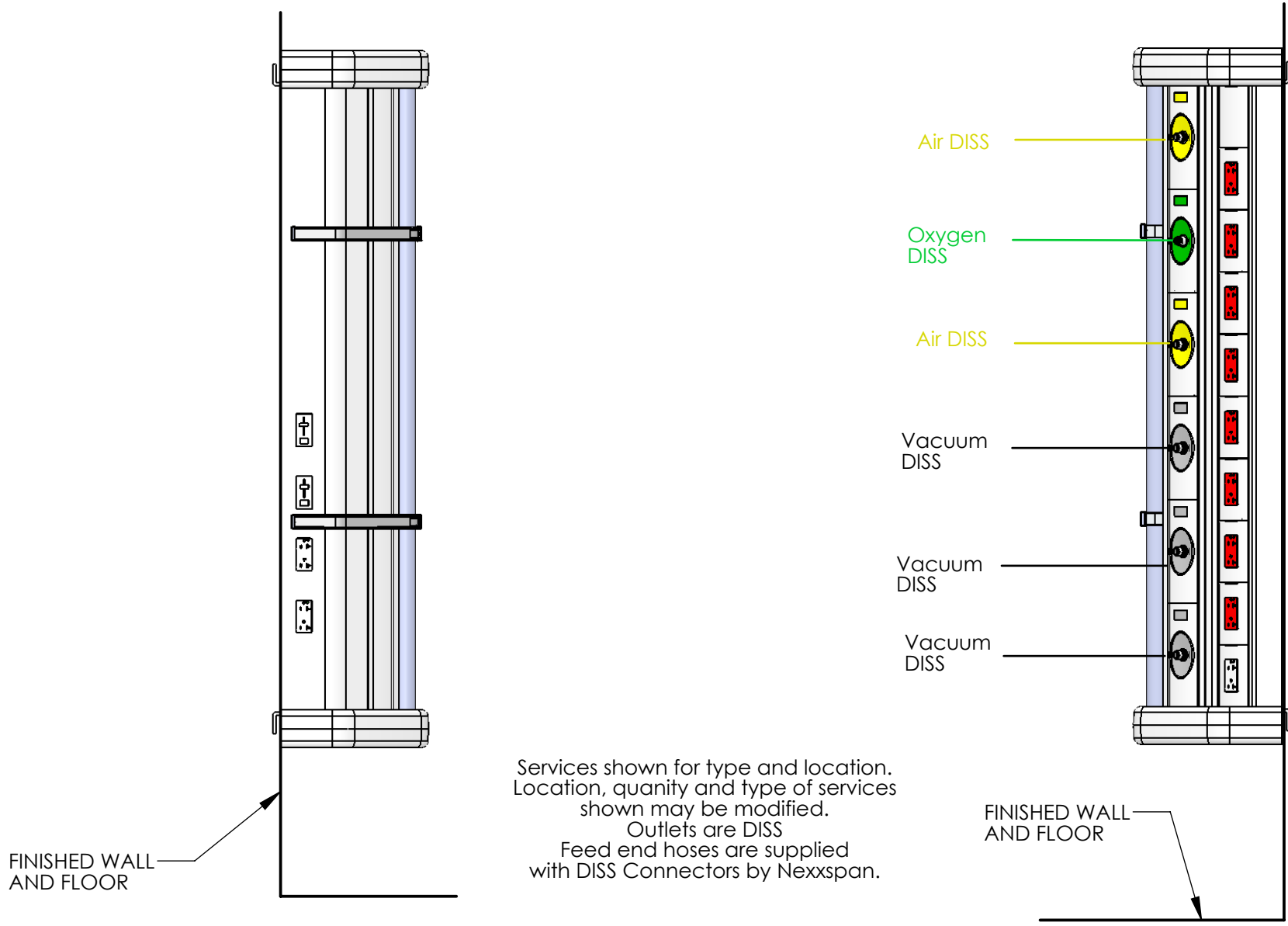
REVISION Drawing Number

A

Drawing Description

Matrixx-M

P1



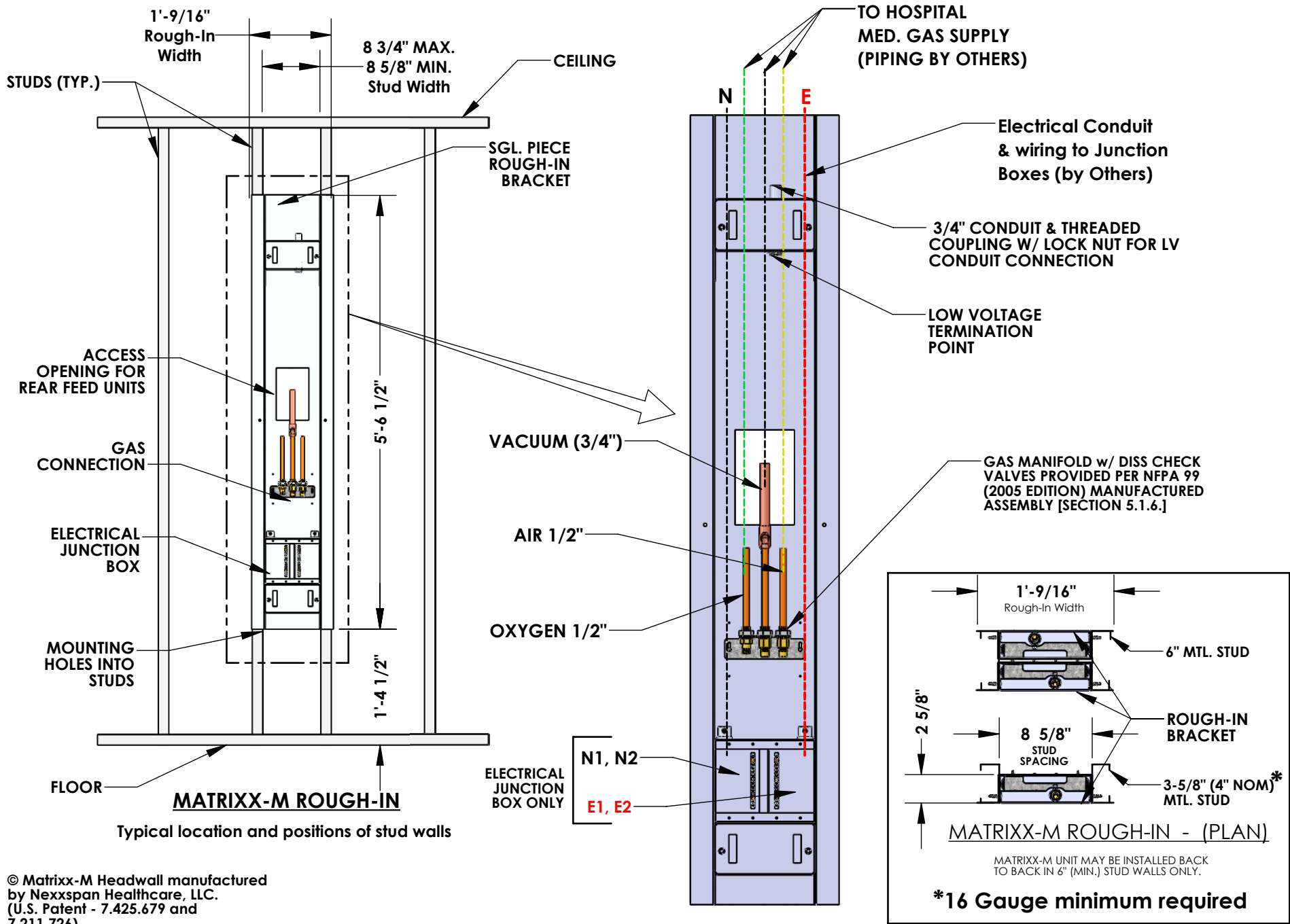
FAMILY SIDE VIEW MATRIXx-M ELEVATIONS

© Matrixx-M Headwall manufactured by Nexspan Healthcare, LLC. (U.S. Patent - 7.425.679 and 7.211.726)

The information contained in this drawing is the sole property of Nexspan Healthcare, LLC. Any reproduction in part or in whole without the written permission of Nexspan Healthcare, LLC. is strictly prohibited.



Hospital	Project Description	REVISION	Drawing Number
Typical Matrixx-M/ICU	Plumbing	A	P2
	Drawing Description		
	Matrixx-M		



© Matrixx-M Headwall manufactured by Nexspan Healthcare, LLC. (U.S. Patent - 7.425.679 and 7.211.726)

The information contained in this drawing is the sole property of Nexspan Healthcare, LLC. Any reproduction in part or in whole without the written permission of Nexspan Healthcare, LLC. is strictly prohibited.

Drawing Date	Project Number
Drawn By M Raby	File Location



Typical 6 Gas Matrixx-M/NICU

Project Description	Revision	Drawing Number
MATRIXX-M	1	RI
Drawing Description MATRIXX-M Rough-In		

Typical



The **MATRIX-M** Medical Utilities and Equipment Management System Unit by Lifespan Healthcare, LLC. is certified by Intertek in accordance with the conditions of the Certification agreement and Listing Report.

Standard(s): Standards for Medical Electrical Equipment, Part 1: General Requirements for Safety: UL60601-1, 1st Edition, dated April 26, 2006; CAN/CSA-C22.2 No. 601.1-M90 with A1 & A2, Dated March 29, 1999

Intertek Control Number: 3047071

ATM for Report 3045647Q issued September 30, 2009