
MATRIX-M INSTALLATION INSTRUCTIONS

Read all instructions before beginning installation

1. Inspect shipping containers for damage. Document any damage found and notify the carrier and Nexxspan Healthcare, LLC
2. Inspect units for defects in materials or workmanship prior to installation. It is the responsibility of the customer to report any damage
3. All units will have plaster covers to protect them during shipment and should be re-attached after the installation of the rough-in to protect them during the remaining construction until the finish units are installed.

THIS SECTION DESCRIBES THE INSTALLATION OF THE ROUGH-IN AT THE FRAMING

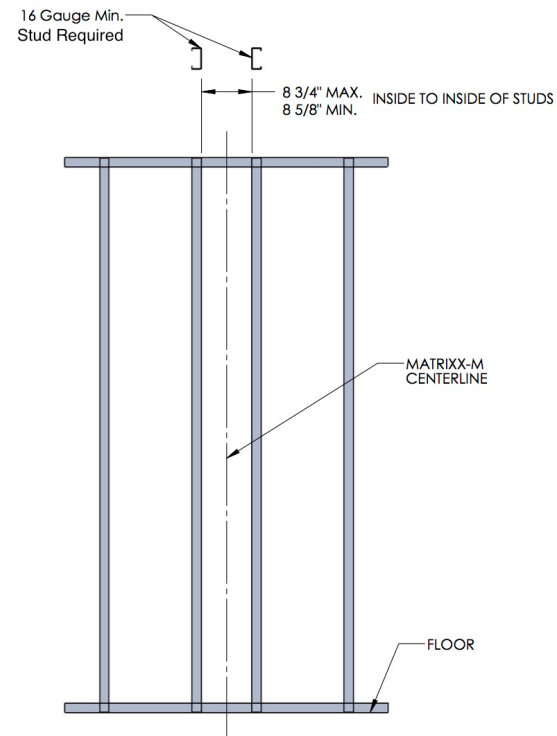
Note: The actual rough-in pipes may vary slightly from the rendering and pictures shown here due to some project configuration being job specific or design revisions that do not affect fit or function. Please refer to submittal. Also, in some instances the customer has also requested a different mounting screw.

Place one 16 gauge (min.) stud on either side of centerline of the Matrixx-M wall unit to be installed.

REFER TO SUBMITTAL FOR LOCATION

Studs to be spaced 8 5/8" Max to 8 3/4" Min. Flat side of studs must face each other (See illustration)

IMPORTANT: STUDS MUST BE PLUMB



2

Locate the Rough-In to the two studs 16 1/2" from the floor to the bottom of the rough-in.

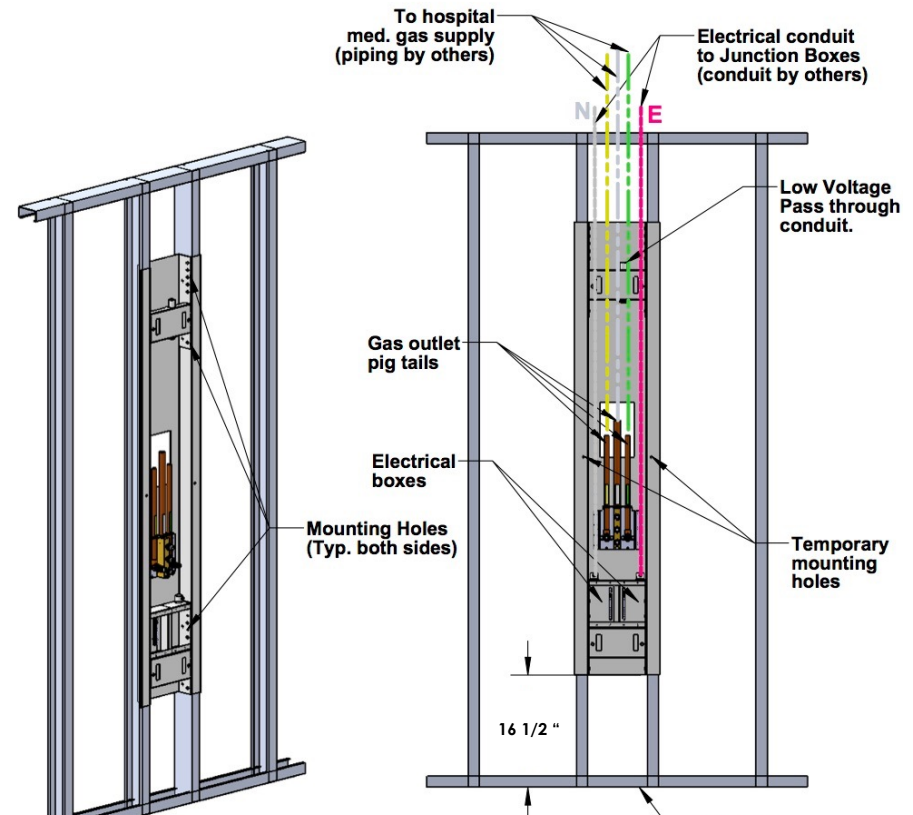
Using two of the #14 self-tapping screws (supplied) attach the rough-in to the studs using the two temporary mounting holes.

3

Using #14 self-tapping screws (supplied) attach the rough-in to the studs a minimum of three at the top and three at the bottom on each side. Remove the two temporary screws from step 2 above. This leaves the face of the rough-in smooth for the drywall installation.

4

Braze gas outlet to hospital medical supply and connect electrical conduit to junction boxes in accordance with all applicable codes and regulations. It is the installer's responsibility to ensure that all brazing and processes are accomplished in such a manner so as to maintain system cleanliness and allow for subsequent system certification.



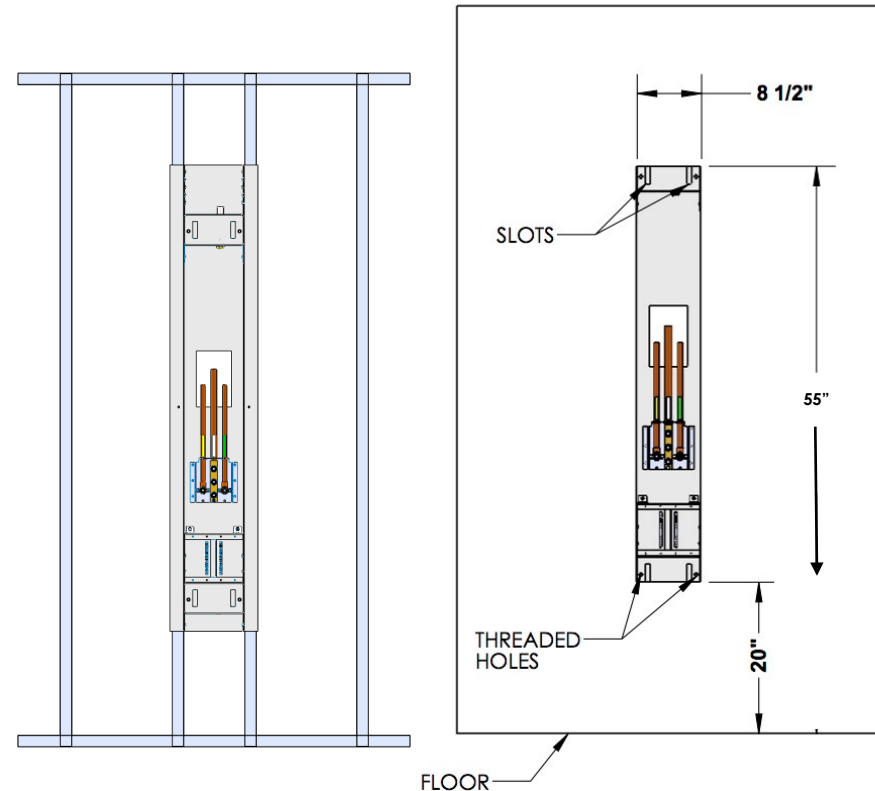
5

Note: Testing of the medical gas system must be accomplished in accordance with all applicable codes and regulations.

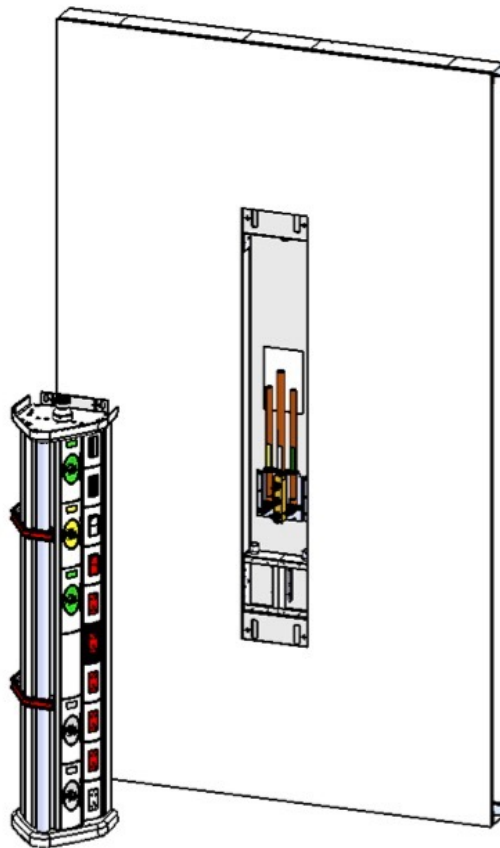
Note: Once drywall has been installed, cut drywall to the dimensions shown in the figure to the right. Make sure the two slots and threaded holes at the top and bottom face of the rough-in are completely clear of drywall and/or mud.

Be sure to replace the protective covering provided to prevent contamination during the remainder of the construction process and prior to installation of the finish

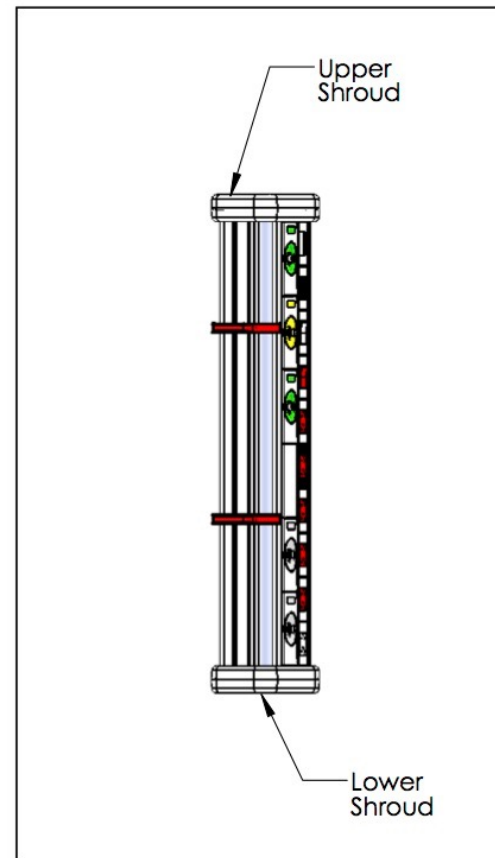
CAUTION: Flatness of wall is critical to an acceptable finished appearance



THIS SECTION DESCRIBES THE FINISH UNIT INSTALLATION PROCESS



Before Installation



After Installation

1

Contractor must refer to submittal to identify the following about the unit:

1. It is being installed in the correct room (room numbers or configuration are on the box unless all rooms are configured the same)
2. It is the correct configuration (Family vs Clinical)



2

Remove the top half of the box as it is resting flat on the floor adjacent to point of installation.

3

Stand the box and the unit upright (the unit can be determined to be upright by the gas labels). Walk the unit out of the box with the top and bottom foam protectors in place. The Matrixx-M will easily stand upright and can be moved on a flat surface with the foam protectors in place



4

Review the room number referencing the submittal to ensure that you have the correct unit. The unit box will identify the following:

1. The correct room (room numbers are on unit unless all rooms are configured the same).
2. It is the correct configuration (Family vs Clinical etc)
3. Replace the top foam protector at this time to prevent inadvertent damage and/or debris from accumulating on the unit.



5

Move the finish unit as close as practical to the Rough-in box where it is to be installed. **NOTE: The bottom foam protector is designed as a “stand” to hold the unit upright on the shipped box while connections are being made. However, you may use any other method you deemed workable.**



6

Ensure all electrical power circuits are locked off prior to hookup.

Make all electrical, gas and low voltage connections between the finish unit and the rough-in. After all connections are made, install the electrical cover plates (supplied) on the unit.

7

After removing the top foam protector, install two (2) 1/4 - 20 screws (provided) as shown in this photo. Screws must fully engage the metal plate since they will temporarily suspend the weight of the unit off the floor.



8

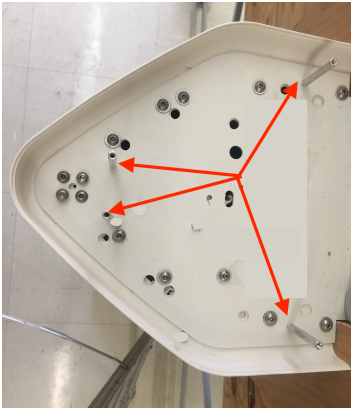
Lift the finish unit to its approximate final installed location, guiding the heads of the two screws installed in step 7 into the slots that exist in the upper portion of the rough-in box. Remove bottom foam protector. The unit will hold itself in place pending the completion of the next step, but it must not be bumped or jostled in any way. Otherwise it can be dislodged and fall.

CAUTION: Step 9 must be completed immediately after step 8 to prevent inadvertent damage to the unit



9

Install two hex head bolts and washers in top of unit. (Do not tighten). After removing the bottom foam protector, repeat this process at bottom. Plumb the unit and tighten all bolts to secure it in its final position.



10

Insert eight (8) aluminum standoffs in the 8/32 threaded holes. Four (4) in the top plate and four(4) in the bottom plate as shown to left.

Using a hand tool, secure the units top cover using four (4) 8-32 x 5/16" PH screws. To achieve this easily, loosely start the two screws nearest the wall(rear). Adjust the cover until the two screws toward the front of the cover can be started. Position the cover so that the top half correctly engages the lower half. Once this is done, gently tighten the four screws such that the cover is snugly in place. Repeat the process to secure the lower cover.

CAUTION: Do not over tighten otherwise the standoffs may break.

Apply a bead of caulking around perimeter of unit. (optional)

NOTE: ALL REQUIRED TESTING IS THE RESPONSIBILITY OF THE CONTRACTOR (S) AND/OR FACILITY.

TOP

Bottom



NOTE:

Light bulbs are shipped upon request and typically. Please call the number below and ask for assistance